

**Installation and operation manual
Installations- und Bedienungsanleitung
Mode d'emploi et d'installation du**

**Hot water heat pump
Brauchwasser-Wärmepumpe
ballon thermodynamique**

**Model VT3130 / VT3131 / VT3132
Modell VT3130 / VT3131 / VT3132
Modèle VT3130 / VT3131 / VT3132**



GB:

INFORMATION FOR THE USER

Congratulations for your choice. You have chosen high-end, high quality DHW HP, which will supply for you DHW economically and at the highest comfort level for a very long time. The DHW HP are built very robust and require very little maintenance. Nevertheless, in order to benefit most of your DHW HP, we recommend reading the instructions for use carefully, before using the DHW HP. The instructions contain important information concerning safety, use and maintenance.

INFORMATION FOR THE INSTALLER

Please read this manual carefully before installing the DHW HP. This manual contains mandatory instructions of the manufacturer, recommendations concerning the legal regulations and standards, safety regulations and requirements as well as useful hints for the installation, the use and the maintenance of the DHW HP. You will also find all information you need to ensure a smooth and most emery saving functioning. The respect of the manufacturer's instructions, as well as the respect of the actual local, national and international standards, regulations and laws as well as the state-of-the-art regarding water and electrical installations, is mandatory and part of the warranty requirements. The DHW HP is designed for domestic use, indoors, in a frost-free environment. The water supply has to have drinking water quality. Nevertheless, some water compositions may need special precautions, for example in the case of low or high acidity (pH-value), high water hardness (scale building), iron and particles (dirt and sand) etc. may be necessary

DE:

INFORMATIONEN FÜR DEN BENUTZER

Wir beglückwünschen Sie zum Erwerb Ihrer neuen Brauchwasser-Wärmepumpe (BWWP). Zweifellos werden Sie mit der Spitzenqualität der BWWP viel Freude haben. Trotzdem empfehlen wir Ihnen diese Anleitung - vor dem Gebrauch der BWWP - sorgfältig zu lesen, um von der vollen Leistung der BWWP möglichst lange zu profitieren. Darüber hinaus erhält die Anleitung wichtige Hinweise zu Ihrer Sicherheit, zur Pflege und zur Wartung des Gerätes.

INFORMATIONEN FÜR DEN INSTALLATEUR

Bitte lesen Sie diese Anleitung sorgfältig vor Installationsbeginn. Diese Anleitung gibt Ihnen wichtige Hinweise für den reibungslosen Betrieb der BWWP, die verbindlichen Hersteller-Anweisungen und -Empfehlungen, die geltenden Normen, Gesetze, Regeln und die örtlichen Vorschriften für Elektro- und Trinkwasser-Installationen, die unbedingt beachtet werden müssen. Das Wasser für die BWWP muss Trinkwasserqualität haben. In Abhängigkeit von der Wasser-Zusammensetzung (z.B. Härtegrad, pH-Wert, Schwebstoffe, Fremdpartikel...), kann es trotzdem notwendig werden - entsprechend den allgemein gültigen Regeln der Installationstechnik -, daß aus Gründen des Korrosionsschutzes weitere Schutzmaßnahmen vorgesehen werden müssen.

FR:

INFORMATIONS POUR L'USAGER

Toutes nos félicitations pour l'acquisition de votre ballon thermodynamique (BTD). Vous allez sans doute pouvoir profiter de la haute qualité du ballon thermodynamique. Cependant, veuillez à lire attentivement ce mode d'emploi - avant l'utilisation du ballon thermodynamique - pour profiter des meilleures performances du BTD. Ce mode d'emploi contient également des recommandations importantes concernant votre sécurité, les soins et l'entretien de l'appareil.

INFORMATIONS POUR L'INSTALLATEUR

Veillez lire attentivement ce mode d'emploi avant l'installation. Ce mode d'emploi vous fournis des recommandations importantes pour le bon fonctionnement du ballon thermodynamique conformément aux recommandations obligatoires du constructeur, aux normes et lois en vigueur et aux règlements locaux concernant l'installation électrique et d'eau sanitaire. Ceux-ci doivent impérativement être respectés. Conformément aux règles générales d'installation, des mesures de sécurité supplémentaires anticorrosion peuvent être envisagées, dépendant de la composition et de la qualité de l'eau (par exemple dureté de l'eau, acidité, particules en suspension, particules de sable, etc.).

USER AND INSTALLATION MANUAL	6
GENERAL INFORMATION:	6
TECHNICAL DATA	6
TECHNICAL DATA:	6
DESIGN & DIMENSIONS OF VT3130 / VT3131 / VT3132:	7
INTEGRATED HEAT-FXCHANGER (COIL):	7
INSTALLATION	8
CHOICE OF THE INSTALLATION LOCATION:.....	8
PREPARATION FOR INSTALLATION:	8
HYDRAULIC INSTALLATION	9
COLD WATER CONNECTION:	9
COLD WATER CONNECTION SCHEME:	10
CIRCULATION (RECYCLE LOOP) CONNECTION:	10
ELECTRICAL INSTALLATION:.....	11
WIRING DIAGRAM:	12
ELECTRONIC DHW HP CONTROLLER	12
USER INTERFACE:.....	12
DISPLAY VIEW:.....	13
MAIN PARAMATER MENU	13
SERVICE MENU.....	14
ONLY FOR THE INSTALLER	14
ALARM LEVELS AND HANDLING	15
LED INDICATOR STATUS:	15
ALARM OVERVIEW:	15
ANODE:.....	16
SIGNAL ANODE:	16
DEFROSTING	16
SAFETY	17
THERMAL DISINFECTION – LEGIONELLA PROTECTION	17
SAFETY VALVE, CONTRA VALVE, CONDENSATION DRAIN – THE INSTALLER:	17
SAFETY VALVE, CONTRA VALVE – THE USER:.....	17
SCALDING SAFETY:.....	17
COOLING CIRCUIT	18
HOW DOES IT WORK?:.....	18
DUCT CONNECTION	18
AIRFLOW SCHEMES:	19
EXTERNAL CONTROLLED DHW PRODUCTION	20
USE OF SOLAR CELL FUNCTION.....	20
WIRING OF A SOLAR CELL INSTALLATION	20
USE OF HOLIDAY FUNCTION.....	20
USE OF BOOST FUNCTION.....	21
USE OF EXTERNALLY CONTROLLED DHW PRODUCTION	21
MAINTENANCE AND CARE	21
MAINTENANCE BY THE INSTALLER:	22
SUPPLEMENTARY ELECTRIC HEATING:	24
USER HINTS	25
IMPORTANT	26
IMPORTANT:	26
DIE BRAUCHWASSERWÄRMEPUMPE (BWWP)	27
ALLGEMEINES	27

TECHNISCHE DATEN	27
KONSTRUKTIONSSCHEMA - ABMESSUNGEN VT3130 / VT3131 / VT3132	28
WÄRMETAUSCHER (WT)	28
INSTALLATION DER BWWP.....	29
WAHL DES AUFSTELLUNGSORTS	29
HYDRAULISCHER ANSCHLUSS	30
KALTWASSER ANSCHLUSS	30
WW-ANSCHLUSS.....	30
ISOLIERUNG DER ANSCHLÜSSE.....	30
KALTWASSERANSCHLUSS-SCHEMA	31
ZIRKULATIONSLAUF	32
WARMWASSER-BEREITUNG	32
ELEKTROINSTALLATION.....	32
VERDRAHTUNGSPLAN.....	33
ELEKTRONISCHE REGELUNG.....	33
DISPLAY UND BEDIENFELD	33
HAUPTMENÜ – ANZEIGENÜBERSICHT	34
SERVICE MENÜ - ANZEIGENÜBERSICHT	35
LÜFTERSTEUERUNG.....	35
BEHANDLUNG VON FEHLERMELDUNGEN.....	36
FEHLERARTEN	36
ANZEIGE-LED: FEHLERMELDUNGEN	36
FEHLERMELDUNGS-ÜBERSICHT	36
ANODE	37
KORROSIONSSCHUTZ DURCH OPFERANODE	37
SIGNAL-ANODE.....	37
ABTAU-FUNKTION.....	37
BESCHREIBUNG DER ABTAUFUNKTION.....	37
SICHERHEIT	37
SICHERHEITS-VENTIL, RÜCKFLUSS-VERHINDERE, KONDESATABLAUF – INSTALLATIONSHINWEISE ...	37
SICHERHEITS-VENTIL, RÜCKFLUSS-VERHINDERE, KONDESATABLAUF – BENUTZERHINWEISE.....	38
LEGIONELLEN-SCHUTZFUNKTION	38
VERBRÜHUNGSSCHUTZ	38
KÄLTEKREISLAUF	39
FUNKTION DES KÄLTEKREISLAUFS	39
LUFTKANAL-ANSCHLUSS	39
INSTALLATION DER LUFTKANÄLE	40
EXTERNE STEUERUNG DER WW-BEREITUNG	41
PV-FUNKTION (PHOTOVOLTAIK SOLARANLAGE).....	41
VERDRAHTUNG EINER PV-ANLAGE	41
FERIEN-FUNKTION	41
BOOST-FUNKTION	42
ZEITGESTEUERTE WW-PRODUKTION (DURCH EXTERNE STEUERUNG)	42
MEHRTARIFZÄHLER STEUERUNG.....	42
WARTUNG UND PFLEGE.....	42
ANSCHLUSS UND BETRIEB ANDERER HEIZQUELLEN	44
HEIZKESSEL-ANSCHLUSS.....	44
ANSCHLUSSBEISPIEL FÜR HEIZKESSEL/SOLARSTATION	44
ELEKTRISCHE ZUSATZHEIZUNG.....	45
TIPS & TRICKS FÜR DEN ANWENDER.....	46
NÜTZLICHE INFORMATION	47
LE BALLON THERMODYNAMIQUE (BTD)	48

GENERALITES.....	48
PRINCIPE DE FONCTIONNEMENT DU BALLON THERMODYNAMIQUE (BTD).....	48
CARACTERISTIQUES TECHNIQUES	49
CONSTRUCTION & DIMENSIONS MODELES VT3130 / VT3131 / VT3132.....	50
ECHANGEUR THERMIQUE INTERNE (ETI).....	50
INSTALLATION	51
LE CHOIX DE L'EMPLACEMENT	51
LA PREPARATION DE L'INSTALLATION:.....	52
REGLES GENERALES D'INSTALLATION	52
INSTALLATION HYDRAULIQUE.....	52
RACCORDEMENT EAU FROIDE.....	52
SCHEMA DE RACCORDEMENT DE L'EAU FROIDE	53
RACCORDEMENT DE L'ECS	54
ISOLATION DES RACCORDS	54
BOUCLAGE ECS	54
RACCORDEMENT AERAIQUE	55
INSTALLATION DES GAINES	55
RACCORDEMENT ELECTRIQUE	55
PLAN DE CABLAGE.....	56
PRODUCTION DE L' ECS	56
FONCTION „VACANCES“	57
FONCTION „BOOST“	57
REGULATION ELECTRONIQUE.....	57
ECRAN ET CLAVIER DE NAVIGATION.....	57
MENU PRINCIPAL DE PARAMETRAGE – APERÇU DES AFFICHAGES ET REGLAGES	58
MENU EXPERT : APERÇU DES AFFICHAGES ET REGLAGES	59
LE FONCTIONNEMENT DU BTD EN DETAIL.....	60
LE CIRCUIT FRIGORIFIQUE. COMMENT CA MARCHE ?.....	60
REGULATION DU VENTILATEUR	60
PROTECTION CONTRE CORROSIONS GRACE A L'ANODE.....	61
ANODE A SIGNAL.....	61
FONCTIONNEMENT DU DEGIVRAGE.....	61
DEPANNAGE	61
CODES D'ALARME	61
LED: AFFICHAGE D'ALARME	62
APERÇU D'ALARMES	62
SÉCURITÉ	62
ORGANE DE SECURITE, DISPOSITIF ANTI-RETOUR, EVACUATION DU CONDENSAT– CONSEILS D'INSTALLATION:	62
ORGANE DE SECURITE, DISPOSITIF ANTI-RETOUR, EVACUATION DU CONDENSAT - PRECONISATIONS POUR L'USAGER	62
DESINFECTION THERMIQUE - PROTECTION ANTI-LEGIONNELLES	63
PROTECTION ANTI-EBOUILLANEMENT.....	63
PILOTAGE EXTERNE DE LA PRÉPARATION ECS	64
UTILISATION DE LA FONCTION PV-SOLAIRE (PHOTOVOLTAÏQUE)	64
RACCORDEMENT D'UNE INSTALLATION PHOTOVOLTAÏQUE	64
VERROUILLAGE DE LA PRODUCTION D'ECS (PAR PILOTAGE EXTERNE).....	64
HEURES PLEINES/HEURES CREUSES.....	65
RACCORDEMENT CHAUDIÈRE/STATION SOLAIRE THERMIQUE EXTERNE	65
EXEMPLE DE RACCORDEMENT D'UNE CHAUDIERE/STATION SOLAIRE	65
APPOINT ÉLECTRIQUE	66
SOIN ET ENTRETIEN	66
SOINS PAR L'USAGER.....	66
ENTRETIEN PAR LE SAV	66

CONSEILS POUR LE BON FONCTIONNEMENT	67
INFORMATIONS UTILES ET IMPORTANTES	68

User and installation manual

General information:

The heat pump usually covers a family's need for hot water throughout the year. VT3131 is equipped with an additional internal heat exchanger (coil, built into the hot water tank). This design opens the possibility for dual-fuel installations (HP + boiler or solar station or electric) and to use the DHW HP as primary source for heating or heating support (e.g. if the central heating boiler is switched off in the summer period, the DHW HP coil can be used to procure heating energy or the partial heating of bathrooms and other small spaces. Refer to page 19 "Connection Example".

The installation and the first launch of the DHW HP have to be made by a qualified and authorised installer according to the instructions and recommendations of this manual. Before connecting the DHW HP to the mains, the DHW HP and the installation have to be filled completely with water and to be checked for leakages. Ensure that the air flow requirements are met (room volume, air source, vent ...). At first launch (or when the tank has been drained) the heat-up time (ambient air temperature of approx. 15°C, DHW temperature 45-55°C) is likely to be 8 to 10 hours. Choose the HP operating mode to start, perhaps in combination with the supplementary heating.

NOTE: The appliance is not to be used by children or persons with reduced physical, sensory or mental capabilities, or lack of experience and knowledge unless they have been given supervision or instruction. Children being must supervised not to play with the appliance.

HP WORKING PRINCIPLE:

The HP is the prioritized energy source for the generation of DHW. The heat pump operates according to the air to water principle: The energy is extracted from the ambient air in the evaporator. In order to ensure the energy supply, the air is forced through the evaporator by a powerful fan. The energy is transported in the HP circuit from the evaporator to the compressor- In the compressor the energy will be transformed to a higher temperature level. This process only need 30% of the thermal output energy as input (as electrical energy for fan and compressor, the thermal energy comes for free from the air). Finally the thermal energy from the compressor is transferred via condenser (external heat exchanger) to the DHW tank to generate DHW. Thus you are saving 70% of energy and energy cost.

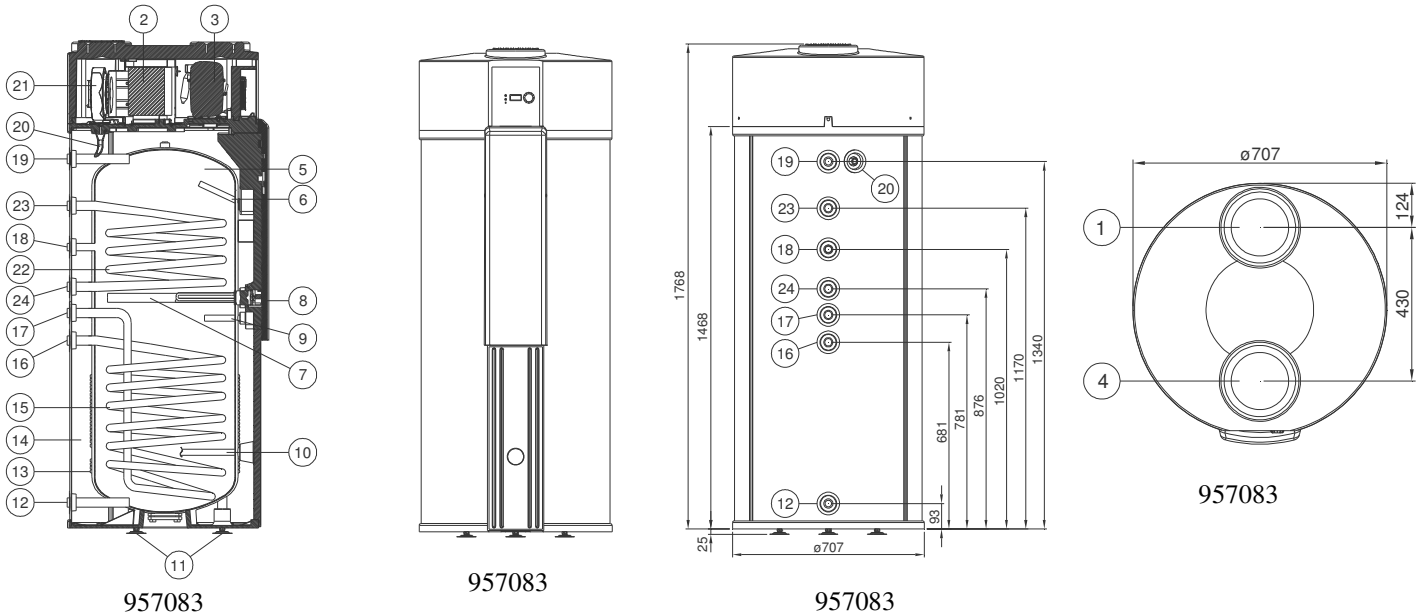
TECHNICAL DATA

TECHNICAL DATA:

Dimensions:	H: 1768 mm, Ø707mm
Weight without packaging:	145-168-190 kg
Voltage/frequency:	230 V / 50 Hz Phase-Neutral-Earth
Heat pump input:	395 Watt*
Heat pump output:	1421 Watt*
High supplementary heating:	2000 Watt/230 V
Fuse protection:	Minimum 13 A
Thermostat for supplementary heating:	Set at 65°C, controlled via the display
Refrigerant:	See nameplate
Air flow:	Min/Max. 200/300 m3/h
Air temperature: VT3130/VT3131/VT3132	Min. -10 °C to max. +35 °C
Boiler: VT3130	Enamelled, 266 l.
Boiler: VT3131	Enamelled, 258 l.
Boiler: VT3132	Enamelled, 242 l.
Working pressure:	Max.1 MPa / 10 bar
Anode:	Magnesium - 5/4" RT
Water temperature:	Adjustable - max. 62 °C
Water capacity:	850 L / 24h
Idle consumption - at 15 °C air temperature and 55 °C water temperature - measured according DIN 8947:	0.7 kWh/24h
Water connections	
– Cold water:	1" RT
– Hot water:	1" RT
– Condensation water:	1/2" RT
– Heat exchanger:	1" RT
– Circulation connection:	3/4" RT
Heat exchanger, heat surface VT3131:	1.00 m ² (5.90 L)
Heat exchanger, heat surface VT3132:	Lower 1.5 m ² (9.57 L) + Upper 0.6 m ² (3.83 L)
Stocking and transport temperature range	-20°C to 60°C

*According to ASHRAE

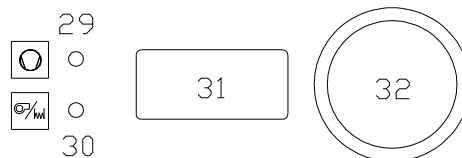
DESIGN & DIMENSIONS OF VT3130 / VT3131 / VT3132:



- | | |
|--|--|
| <ol style="list-style-type: none"> 1. Air outlet 2. Evaporator 3. Compressor 4. Air inlet 5. Enamelled container 6. Pocket for sensor - thermometer 7. Anode 8. Supplementary heating 9. Pocket for sensor – working phial 10. Anode* 11. Adjustable feet 12. Cold water inlet 13. Safety condenser 14. Foam | <ol style="list-style-type: none"> 15. Heating coil (lower)* 16. Heating coil – inlet (lower)* 17. Heating coil – outlet (lower)* 18. Circulation connection 19. Hot water outlet 20. Defrost water outlet 21. Fan 22. Heating coil (upper)* * 23. Heating coil – outlet (upper)** 24. Heating coil – inlet (upper)** <p>*Only VT3131 and VT3132
**Only VT3132</p> |
|--|--|

CONTROL PANEL

29. Control button push/rotary
30. Control panel (display)
31. Operating-/alarm lamp heat pump
32. Operating-/alarm lamp supplementary heating



INTEGRATED HEAT-FXCHANGER (COIL):

The DHW HP can be equipped with 1 (e.g. model VT3131) or 2 integrated heat exchangers (coils). The single coil version has a heat-exchange surface of 1m² (20), whereas the double coil version has 1.5 m² for the lower (20) and 0.6 m² for the upper (17) coil. If you are using supplementary heating from 2 different energy sources, for example solar-thermic and oil / gas/ solid fuel boiler, the solar installations must be connected to the lower coil. For the 2-coil version and 1 supplementary energy source (e.g. solar-thermic) it is also possible to connect both coils in series.

NOTE: The temperature in the tank must not exceed 65°C. This must be ensured by a safety device controlled by the maximum DHW temperature in the tank (1st priority) and a temperature limiter on the inflow side. Overheating the tank might damage the heat pump's refrigerant circuit and is not covered by the product warranty.

INSTALLATION

CHOICE OF THE INSTALLATION LOCATION:

Wherever possible, the heat pump should be installed close to the existing hot-water conduit. The location must be indoors in a frost-free environment with a frost protected sewer drain. The floor at the location must be flat and at level. Minor irregularities can be levelled by means of the adjustable feet. It has to support the weight of the DHW HP (approx. 430 kg filled). The location must be designed to support the corresponding load. If the HP will operate mostly on off peak hours do not install the product near to bedrooms. Even if the DHW HP operates very silently, this might disturb sensible users. Please ensure that the location and the DHW HP are easily accessible for maintenance and service. All damages and service impossibilities (e.g. repair), due to the reduced accessibility are part of the installer/user responsibility and not covered by the manufacturer's warranty.

NOTE: State-of-the-art building regulations, standards and legal requirements must be observed. Unused connectors (Coil, recycling loop) have to be sealed and insulated properly in order to avoid heat losses.

The DHW HP works either with ambient air or outside air. Independent of the installation mode there are some basic requirements for the air quality of the airflow:

- The air must be dust and grease free
- The air source should benefit from free energy gains like in the laundry (dryer waste energy), kitchen, garage (appliances and car waste energy), basement (geothermal energy) and heating cabinet.
- The air temperature must be $> -10^{\circ}\text{C}$
- The air source can benefit from dehumidification
- The exhaust air is cooled down and can be used for cooling e.g. a wine cellar

The easiest way to install the DHW HP is the **ambient air installation**:

In the ambient air mode the product doesn't need ducting. The air inlet uses the ambient air of the location and the air outlet exhausts the air into the same room. This installation mode needs some requirements:

- Room volume $> 20 \text{ m}^3$
- Free air flow, no air re-circulation (air short-circuit between inlet and outlet)
- Ventilation of the location (air inflow $> 200 \text{ m}^3/\text{h}$)
- Location must not be heated by a heating system

In this installation mode the fan speed should be adjusted at "high". Anyhow, if you should want to change the fan speed for comfort reasons to "low", you can do so without a considerable decrease of performance.

Semi ducting or full ducting can increase the efficiency. In this way you can optimise the airflow and the efficiency.

- Semi ducting is usually used for the exhaust side to avoid mixing ambient and exhausts air.
- Semi ducting helps to reduce the noise level

Full ducting on air inlet and air outlet gives the possibility to position air inlet and outlet independent of the DHW HP location. Full ducting is also recommended for the use of exterior air.

In this installation mode the fan speed should be adjusted at "high".

It is also possible to use the DHW HP ducted with extracted air. For this special application the minimum air flow requirements of the HP have to be matched with the airflow design of the ventilation. The fan speed for permanent operation can be selected separately.

For more details see "air connections – ducting"

PREPARATION FOR INSTALLATION:

The heat pump is delivered adjusted and ready assembled with wire and plug. Just connect the water inlet and outlet to the piping. The defrost water from the evaporator is evacuated by a drain (13) and has to be connected to the sewer. The dimensions of the DHW HP and the connections see "design & dimensions".

General rules for hydraulic connection:

Your DHW HP has a high quality steel tank for the DHW generation. This tank inside is enamelled and gives you a perfect protection against corrosion in combination with an additional cathodic protection (magnesium anode). Nevertheless, in order to protect the tank and also the connectors you have to avoid connecting copper pipes to steel or galvanized steel fittings directly (in flow direction). The use of insulation fittings is mandatory in this case.

NOTE: The installation must be done according to the state of the art of installation. The non-respect of these rules and abnormal water composition may be the reason of warranty exclusion. The manufacturer has no liability for the installation and possible damages to it.

HYDRAULIC INSTALLATION

The installation and the first launch of the DHW HP have to be made by a qualified and authorised installer according to the instructions and recommendations of this manual. The respect of the manufacturer's instructions, as well as the respect of the actual local, national and international standards, regulations and laws as well as the state-of-the-art regarding water and electrical installations is mandatory and part of the warranty requirements

COLD WATER CONNECTION:

The DHW HP core is a pressure tank intended for multiple outlets. The hydraulic connections have to be made in accordance with the local, national and international regulations and standards. Generally the water inlet is protected by a safety device (safety valve and drain combined) as well as a backflow protection (retention valve) and a shut-valve. These fittings are not included in the delivery. The use of approved new fittings is mandatory. If the supply pressure is > 5 bar

DHW connection:

Please respect the legal and specially hygienic requirements for DHW and the restrictions given by the use of different installation material. The DHW HP might be used as unique or additional source for the generation of DHW.

NOTE: The heat pump should only be launched when you are sure that the tank is completely filled with water. At first launch (or when the tank has been drained) the heat-up time (ambient air temperature of approx. 15°C, DHW temperature 45-55°C) is likely to be 8 to 10 hours. Choose the HP operating mode to start, perhaps in combination with the supplementary heating.

INSULATION OF THE INSTALLATION:

All pipes and fittings and connectors on the DHW side must be insulated to prevent heat loss. Unused connectors have to be sealed and insulated.

NOTE. The proper insulation measures are mandatory for an efficient operation of the DHW HP. The non-respect of these rules might be the origin of customer complaints.

COLD WATER CONNECTION SCHEME:

1: Cold water inlet

2: Ball valve 1”: must be open during operation.

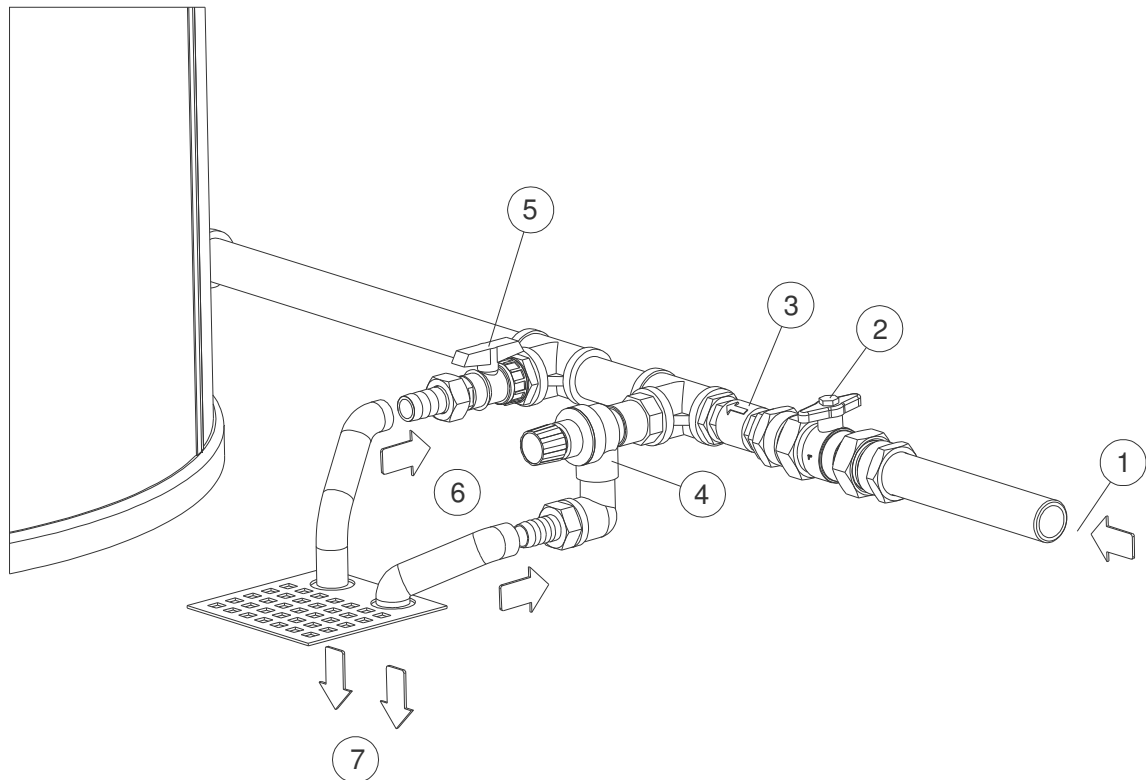
3: Contra valve 1”: to prevent excessive pressure.

4: Safety valve 1”: max. pressure 1 MPa / 10 bar. Discharge pipe connected to safety valve must be installed downwards and in frost free environment.

5: Drain valve 1”: open when the boiler needs to be emptied.

6: Hose connections: for drainage of water from safety valve and drain valve.

7: Drain: connect hoses to safety valve and drain valve and lead the water into drain.



957085-01

CIRCULATION (RECYCLE LOOP) CONNECTION:

We recommend not to use the circulation (recycle loop), because of the important heat losses. This might be the origin of customer complaints.

If you have to use a recycle loop anyway because of comfort reasons, or building regulations (e.g. “the 3 litre rule”) the piping and the connectors must be dimensioned and insulated carefully. We advise to operate the recycle loop pump intermittent by means of a timer or a special circulation pump controller, which triggers the pump operation when DHW is needed and memorizes the user profile. The position of the circulation connector avoids the propagation of scale into the recycle loop. If required by building regulations, heat loss compensation with self-regulating heating cables is possible.

DHW PRODUCTION:

Your DHW HP can generate DHW with different energy sources, such as HP, electrical heater (built-in), boiler or a solar-thermic installation. Heating of domestic water can be made using the heat pump, electrical heater and / or boiler. Electrical heater (built-in), boiler and solar-thermic installation are referred to as supplementary heating. The energy sources are selected in the menu. They can be selected individually or in combination of 2 sources, but never boiler and electrical heater together.

The desired set point temperature for DHW can be adjusted by the user in the parameter menu in between 5°C and the installation specific maximum temperature T_{max} (installer setting).

Tmin is the set point for supplementary heating, It can be adjusted independently of the DHW set point, The factory setting for DHW set point "SETPOINT" is 55°C and for "Tmin" 35°C.

The set point temperature can be achieved either by the HP (energy source selection "HP", "HP + EL", "HP + boiler") or the supplementary heating (energy source selection "EL", "boiler"), depending on the choice of the energy source. Tmin is achieved with heat pump and supplementary heating (energy source selection "HP + EL", "HP + boiler"), if selected.

The heat pump operates with a hysteresis of +1 -3 °C around the DHW set point. The supplementary heating operates with a hysteresis of + -1 °C.

The DHW HP is equipped with a permanent and an automatic defrosting system. This reduces the need for defrosting and increases efficiency (increased operation cycle). Nevertheless it is normal, that (especially at low temperatures and in heavy-duty operation) the evaporator has to undergo a de-icing procedure. When the evaporator temperature gets too low the heat pump will stop and the defrosting procedure starts automatically. For air defrosting this limit is -8 °C, for hot-gas defrosting -18 °C. Normal operation resumes at an evaporator temperature of +5 °C.

The LED indicators 29 and 30 of the control panel show the actual operation mode, the upper LED(29) for the heat pump and the lower LED (30) for supplementary heating:

- Off: Inactive (not selected)
- Orange: Selected, but running standby mode
- Green: Selected and producing DHW.

ELECTRICAL INSTALLATION:

The heat pump is equipped with a 2 metre power supply cord, 3 x 1.5 mm², which comes out on the back of the device with stress relief and a safety plug.. The socket should be protected individually by an automatic circuit breaker and a residual-current circuit breaker (30mA)

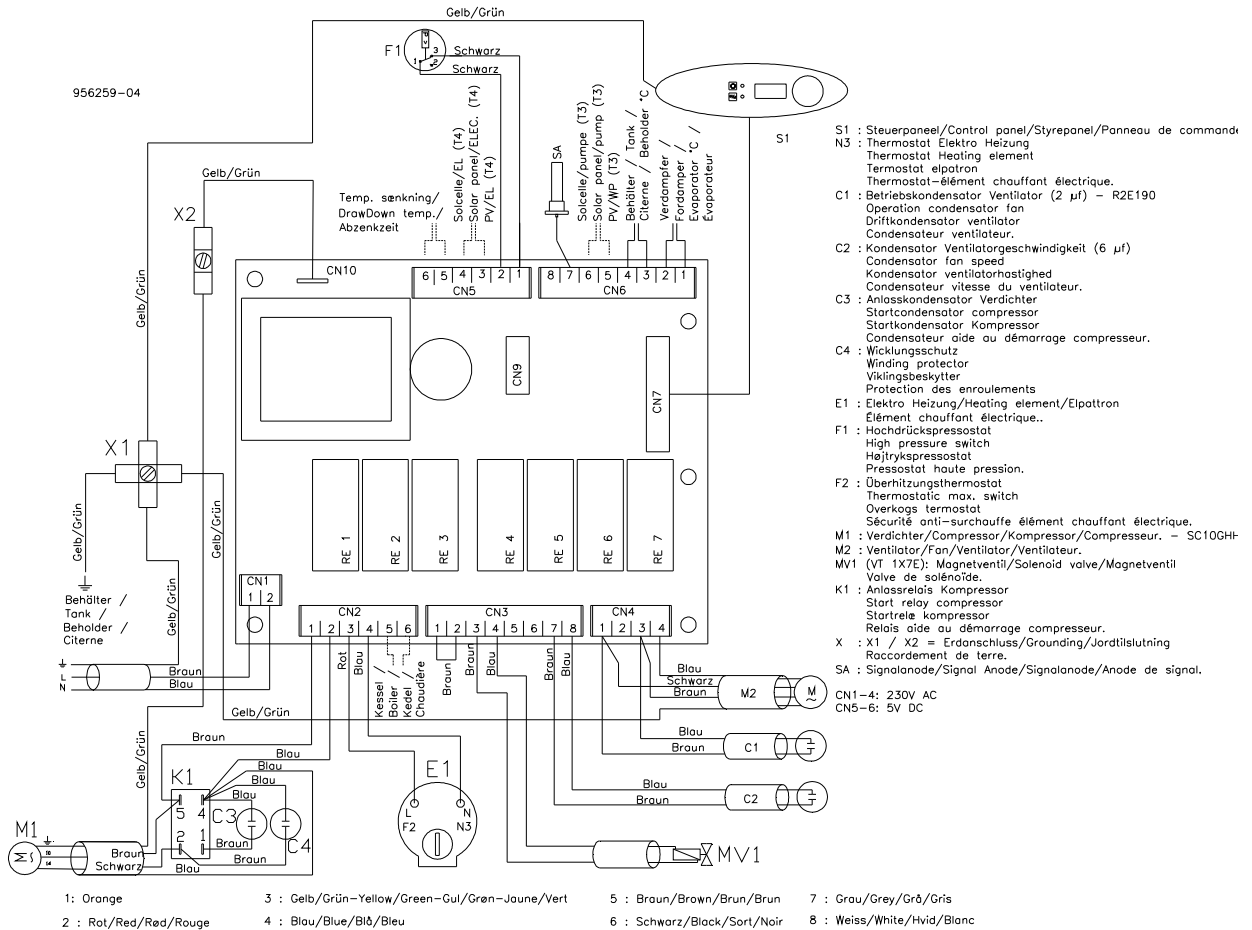
Max. power input: see "page 4 - technical data".

Power supply_ 230V AC single-phase, 50Hz

Mains lead colours: phase – brown, neutral – blue, earth – yellow/green

NOTE: The appliance must be installed in accordance with national wiring regulations by a qualified and authorized installer. If the supply cord is damaged, it must be replaced by the manufacturer, its service agent or similarly qualified personnel in order to avoid a hazard.

WIRING DIAGRAM:



ELECTRONIC DHW HP CONTROLLER

USER INTERFACE:

2-line display (The Control Panel setup, see also control panel drawing on page 7).

Water The upper line displays the parameter menu (function).
45°C The bottom line displays the parameter status or value.

- The display is activated (indicated) by turning or pressing the rotary-/push button (no. 32 on the control panel drawing).
- To scroll through the menu turn the rotary-/push button.
- You have 12 menus. The far left is the menu **”WATER”** (indicates the actual DHW temperature).
- If you want to change the status or value of a parameter, push shortly the rotary-/push button; the status/value line will now start flashing. While the display is flashing you can vary the status/value by turning the rotary-/push button. When the desired value is indicated push the rotary-/push button again to acknowledge the chosen status/value. If you don't acknowledge the value while the display is flashing, the status/value remains unchanged.
- If you press t the rotary-/push button for more than 3 seconds, you get to the service parameter menu. This expert menu is reserved for the installer. Please do not change these settings without consulting your installer. None authorized settings in this menu might be the cause of warranty exclusion.

DISPLAY VIEW:

MAIN PARAMATER MENU

Language English	When power is connected for the first time this parameter appears on the display. Factory setting: ENGLISH. You can choose between: Danish, German, English, Spanish, French, Polish, Slovene, and Italian by pushing the control button while the value line is flushing. You can change the language settings at every moment in the installer menu (service parameter menu).
Water 45°C	If the power is switched on, this parameter appears on the display. It indicates the current DHW temperature
Evapor 5°C	Evaporator temperature. This parameter displays the current evaporator temperature
Alarm 0 0 0	Alarm display. This parameter displays up to 3 alarms. "0" = no alarm. The alarm types 1 to 10 are described in the alarm overview in the following pages. Alarms are acknowledged and reset by pushing the rotary/push button.
Status Off	This parameter displays the current operating mode of the DHW HP. The possible operating mode values are: "Off" = switched off, "Standby", waiting for DHW demand "H.Water " = DHW production on going , "Def.Gas" - "Def.Air" - "Def.Stop" = Defrosting condition (see page 14), "alarm".
Setpoint 45°C	This parameter displays the set point temperature for DHW. The set point of the DHW temperature can be adjusted in between 5°C and Tmax by pressing and releasing the rotary/push button (parameter selection). While the value line is flushing, the value can be adjusted by turning the rotary/push button. Press again the rotary/push button to acknowledge and memorize your choice. The recommended DHW set point temperature is between "45°C" and "55°C". Note! This is only an average temperature and not the hot water output temperature.
T min 35°C	This parameter displays the minimum temperature. Tmin is the temperature level that triggers the operating of the supplementary heating (if selected as "Heat pump" parameter value, e.g. "HP+EL" or "HP+Boil" if installed). The minimum temperature can be adjusted in between 5°C and Tmax by pressing and releasing the rotary/push button (parameter selection). While the value line is flushing, the value can be adjusted by turning the rotary/push button. Press again the rotary/push button to acknowledge and memorize your choice. The recommended minimum temperature is "35°C"
T2 min 10°C	Similar function as T min , used for "holiday function" or when the DHW HP is in "standby" mode. Tmin protects the DHW HP and your installation against freezing. The factory setting is "10°C".
Heat pump HP+EL	This parameter displays the energy source for your DHW production. The energy source can be selected with the rotary/push button. The possible selections are "OUT", "HP", "EL", "HP+EL", "BOILER", "HP+BOIL". If no boiler is installed, the last 2 combinations are not to be used
Legionel Off	This parameter displays status of the automatic Legionella protection mode. If activated ("ON") the DHW HP will once a week increase the DHW temperature to 65°C, in order to avoid possible bacteria (legionella) creation.
FanCon Off	This parameter displays the fan operation mode, when in the HP is in standby operating mode. If this parameter is unselected ("Off") the fan will stop together with the HP. If this parameter is set to "Low" for low or "High" for high speed, the fan will operate permanently and accordingly, while the HP is in the "standby" operating mode (= constant ventilation). Factory setting "OFF".
FanOper High	This parameter displays the fan speed, when the HP is in operating mode. The fan speed can be selected with the rotary/push button. The possible selection are "Low" = low speed "High" = high speed
Solarcel Off	This function permits to operate the DHW HP with cheap and environmentally friendly energy from your own solar cell panels. "Off" = Solar cells are not connected to system or not chosen to be used by the user. "HP only", "EL only" and "HP + EL": These values indicate the chosen operation mode, when the solar cell function is activated by the external inverter signal, see "page 12 wiring diagram for connection to controller.
SC-HP 52°C	5°C – T max Set point temperature of "HP only" operating mode, when Solcel function activated (inverter signal)
SC-EL	5°C – T max

53°C	Set point temperature of “EL only “ or “HP + EL” operating mode, when Solcel function activated (inverter signal)
Holiday Off	This parameter activates/deactivates the holiday mode. The holiday mode can be selected with the rotary/push button. The possible selection are: “Off”, “1 week”, “2 weeks”, “3 weeks”, “3 days”, “Manual” When the holiday mode is activated, “T2 min” is the safety level for frost protection..
Man.days 1	This parameter displays the number of holidays at individual (manual) choice. The holiday days can be selected with the rotary/push button. The possible selection are: 1-99
ReDays 0	This parameter displays status of the remaining number of holidays. The possible values are 0-99
Boost Off	This parameter activates/deactivates the BOOST operating mode in the case of additional need for DHW. If the BOOST operating mode is activated “ON”, the DHW production will be made by the HP and the supplementary electrical heating either for a maximum cycle of 1 hour or if Tmax is reached. Possible values “Off”, “On”. The factory setting is “OFF”.
FanPause 30	“Off”, “30m/15s”, “30m/30s”, “60m/15s”, “60m/30s”, “90m/15s”, “90m/30s” When activated the fan will stop for either 15 or 30 seconds every 30m, 60m or 90m, according to the selected value.

SERVICE MENU

ONLY FOR THE INSTALLER

Language English	Danish, German, English, Spanish, French, Polish, Slovene, Italian
Software 1.35	SERVICE MENU – Only for the installer. The menu "software" indicates the software release. The number "1.35" is the actual release
Defrost Gas	SERVICE MENU – Only for the installer. This parameter displays the selected defrosting mode. Attention: The defrosting mode is model specific and must not be changed without written consent of the manufacturer. The possible selections are: "GAS", for VT3130 / VT3131 / VT3132 Service Def.None, Def.Gas
Anode Off	SERVICE MENU – Only for the installer. “Off”, “On” Is activated if signal anode is factory installed or can be activated if signal anode is retrofit.
T max 55°C	SERVICE MENU – Only for the installer Maximum operating "T max" . This parameter value limits the maximum operating temperature. Here can the maximum desired operating temperature be adjusted. ". "T max" can be adjusted in between 5°C and 62°C. The DHW set point temperature cannot exceed Tmax. Please note, that efficiency of the heat pump is reduced at higher temperatures = higher energy consumption.

Compressor protection: After each compressor stop, a new start is delayed at least 5 minutes.

FAN CONTROL:

The fan has 2 speed settings, which can be adjusted in the menu "**FanOper**". The factory setting for the parameter value is “high”. We recommend this setting for best performance. Nevertheless, if necessary, the “low” speed setting can be used to improve acoustic comfort or to avoid acoustic interferences without a significant loss of performance. (Installation not ducted on ambient air).

If your air outlet and/or air inlet are ducted, it is mandatory to set the “FanOper” parameter value to “High”.

The menu parameter "**FanCon**" controls the fan-operating mode for the use with constant ventilation. If this parameter is unselected (“Off”) the fan will stop together with the HP. If this parameter is set to "**Low**" for low or "**High**" for high speed, the fan will operate permanently and accordingly, while the HP is in the “standby” operating mode (= constant ventilation). Factory setting “OFF”.

Note: The design of an integrated constant ventilation system has to be done under the responsibility of an expert specified in order to match air flows. The manufacturer declines all responsibility on such a design.

The “**FanPause**” function improves the operation of the DHW HP in humid environment (bathroom, laundry, basement...). This function forces the draining of condensation water recovery box, in order to prevent overflow. When activated the fan will stop either for 15 or 30 seconds per full operating hour. An interruption of the HP fan operation (e.g. because the water temperature set point has been reached) resets the “FanPause” function timer. The timer restarts together with the HP operation. If “**FanCon**” is activated, the “**FanPause**” function will interrupt the fan operation after every full operation hour. If “**FanPause**” is set to “**Off**” then the function is deactivated.

ALARM LEVELS AND HANDLING

There are 3 alarm levels. The display can show 3 different alarms at the same time. The alarm must be acknowledged and reset by pressing the rotary/push button.

Level 1 - The information alarm: does not affect the HP operating, but informs the user that there is a problem, which might need action and should be resolved as soon as possible. (Alarm no. 8, 9 and 10).

Level 2 - The cooling circuit alarm:: This alarm level **stops the DHW production via HP**. If a supplementary heating is chosen in the “Heatpump” parameter menu (“HP + FL”, “HP+boil”, “EL”, or “boil”), DHW is generated by the supplementary heating up to the DHW “SETPOINT” temperature. (Alarm no. 3, 4, 5 and 6).

Level 3 - DHW HP alarm: The DHW production will cease completely. A severe malfunction or defect is supposed. This alarm level needs the intervention of your installer or the manufacturer’s after-sales-service. (Alarm no. 1 and 2)

The user can see the alarms in the alarm menu, where also the alarms are acknowledged. The problem/defect has to be settled and the alarm has to be acknowledged, before normal operation resumes. If there are simultaneous alarms, the alarms are displayed (up to 3 alarms) in a sequence, according to their priority.

Special handling of Pressostat switch alarms (alarm 5 & 6)

The Pressostat switch protects the compressor and the cooling circuit against overpressure. At the first time the problem comes up, alarm nr.5 is displayed and the HP stops operating. LED (29) is flashing in red until the problem is solved (pressure is normal again), The now resumes normal operating mode automatically. (LED indicator: standby mode = orange light; HP operating mode = green light). If alarm 5 persists, call your installer.

Should a Pressostat problem occur again in less than 6 hours after the first alarm, alarm nr.6 is displayed and the HP stops operating. Call your installer! LED (29) is flashing in red until the problem is solved (pressure is normal again) and the alarm acknowledged by pressing the rotary/push button, The LED (29) now flashes in orange. When the alarm is reset, the HP will restart and LED (29) turns for constant light (standby mode = orange light; HP operating mode = green light).

LED INDICATOR STATUS:

LED (29) for HP flashes red: Information- or coolant system alarm.

Both LED (29 + 30) flash: DHW HP alarm, no DHW production possible.

ALARM OVERVIEW:

Alarm Nr.	LED indicator:		Possible problem or defect	Remark/action
	No. 29	No. 30		
1	X (red)	X (red)	DHW temperature sensor is short circuited	No DHW production, HP and supplementary heating are cut off. Call your installer.
2	X (red)	X (red)	DHW temperature sensor is cut-off	No DHW production, HP and supplementary heating are cut off. Call your installer.
3	X (red)		Evaporator temperature sensor short circuited	Compressor stops operating
4	X (red)		Evaporator temperature sensor cut-off	Compressor stops operating
5	X (red)		First Pressostat alarm	Compressor stops and restarts automatically, if the problem has disappeared (pressure back to normal level), reset is possible
6	X (red)		Second Pressostat alarm	Compressor stops and restarts only after resetting and user acknowledgement.
8	X (red)		Temperature sensor „Temp 1“ short-circuited.	Information only
9	X		Signal anode worn.	Inform your installer and ask for maintenance.

	(red)		Check and replace the signal anode
10	X (red)	Legionella temperature is not reached	Information

ANODE:

Your DHW HP has a high quality steel tank for the DHW generation. This tank inside is enamelled and gives you already a nearly perfect protection against corrosion. Nevertheless even the superior quality enamel has impurities or zones with micro-pores. We therefore added a catholic protection (magnesium anode) that ensures the best possible protection against corrosion. The anode is situated in the middle of the DHW tank (some models has 2 pcs.). The anode is essential for the prevention of corrosion. As the anode is worn by the use, it has to be checked yearly and to be replaces if necessary. If you have a model with a signal anode, the display informs you, when the signal anode has to be replaced.

SIGNAL ANODE:

(Models equipped with signal anode only)

Menu settings: If the signal anode is factory mounted (order code 489202), the value of the parameter "ANODE" is already set to "ON". If the signal anode is retrofit, the parameter "ANODE" has to be set manually to "ON". If a standard anode is installed, the parameter "ANODE" has to be set to the value "OFF".

The signal anode function: If the signal anode is used and needs replacement, the alarm code "9" will appear on the display. Call your installer for maintenance and the replacement of the signal anode. Note: while the signal anode alarm reminds for anode replacement, the DHW HP operates without any restriction. Attention: The signal anode is deactivated if the "ANODE" parameter value is set to "OFF". See page 21 "maintenance of the anode".

The signal anode function requires the software release 1.31 (or higher) that supports the features like solar cells, holiday and boost. The signal anode can be retrofit. Please note that the wiring of the solar cell inverter is different to previous software releases.

DEFROSTING

Your DHW HP is equipped with an automatic and continuous defrosting system. Defrosting becomes necessary, when the evaporator gets iced after heavy-duty operation or operating with low ambient temperature.

DEFROSTING MODES:

The defrosting mode is model specific.

"Defrost Gas" – Defrosting with hot gas. Only VT3130 / VT3131 / VT3132

"Defrosting gas"

Only for models VT3130 / VT3131 / VT3132

If the temperature at the evaporator < -2°C, the automatic defrosting procedure (by hot gas) starts. The bypass solenoid valve now opens, the compressor will run and the fan is cut-off.

If the evaporator temperature reaches +5°C, the solenoid valve closes, and the fan restarts. If the temperature for the evaporator does not reach +5°C within 20 minutes, the defrosting procedure will stop and switch back to normal operating mode. If the evaporator temperature reaches -18°C or below the HP will be locked. The supplementary heating "HP+EL" or "HP+BOIL" will continue, if selected, up to the set point of "T-min".

Note: The minimum interval between two defrosting cycles is 2 hours. Even if the evaporator temperature should fall to or below -2°C in this period, the defrosting procedure will remain locked.

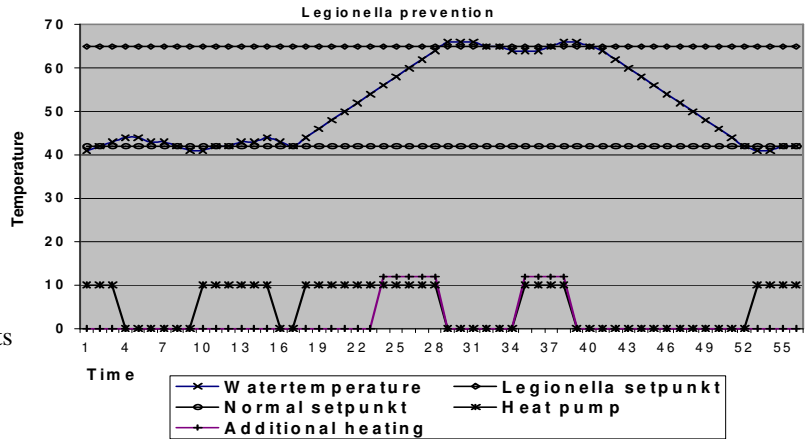
SAFETY

THERMAL DISINFECTION – LEGIONELLA PROTECTION

THE LEGIONELLA PROCEDURE:

The procedure must be activated in the parameter menu.

If the legionella procedure is activated, the legionella sequence will start immediately.
 If the legionella procedure is deactivated, the legionella sequence will stop immediately.
 If activated a new “legionella protection” cycle starts automatically after 7 days (168 hours) $\pm 2\%$. The function will be deactivated at power cut.



In order to protect your installation against “legionella” or other bacteria, the water temperature goes up to 62°C by means of the HP and the supplementary additional heating. At 62°C the device switches to the “supplementary heating only mode” to heat further up to 65°C. This temperature is maintained for 1 hour before it will switch back to normal operating mode. The “legionella protection cycle” is limited to 12 hours. If the legionella temperature is not reached*, an alarm will be displayed. The alarm will disappear automatically after the next successful legionella sequence or be reset on user acknowledgement.

* If the air temperature is too low and/or the DHW energy requirement during the “legionella protection” cycle is higher than the needed output for the “legionella-protection” procedure.

SAFETY VALVE, CONTRA VALVE, CONDENSATION DRAIN – The installer:

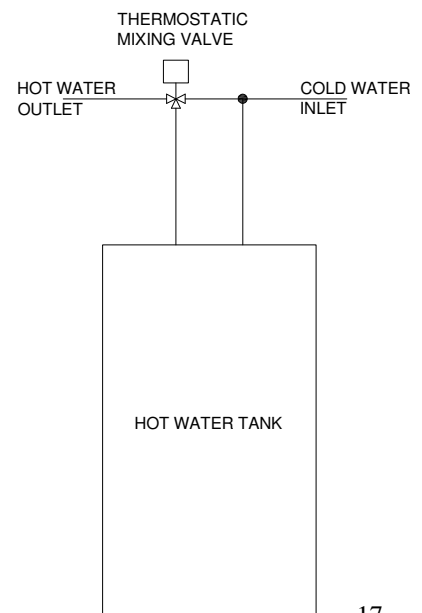
The DHW HP tank must be protected by a new safety valve and a contra valve on the cold water side. This is to protect the DHW tank against excessive pressure (due to the expansion of hot water and pressure shocks) and leaking. The safety valve overflow has to be connected to the floor drain. The contra valve in the security group prevents the backflow of warm water to cold water supply. Depending on the input air humidity, the evaporator generates a certain quantity of condensing water. The condensing water container must be fitted to the drain. Concerning the specifications of pipe connections - please see dimensional sketch "page 7 – Design & Dimensions”

SAFETY VALVE, CONTRA VALVE – The user:

Your installer has fitted a new safety group. This is to protect the DHW tank against excessive pressure (due to the expansion of hot water and pressure shocks) and leaking. The functioning of the safety group: While the cold water in the DHW tank is heated up, the water volume expands and the pressure inside the tank increases. If the pre-set pressure level of the security group is met, the security valve opens and releases excess water (= pressure) to the drain. This water release and even permanent releases in form of dripping, is absolutely normal and demonstrates that the security group is working. The user is responsible for the maintenance of the safety valve, and has to check regularly (4-5 times a year), whether it is operational. This is done by pressing or turning the spring loaded button on the valve and then to watch and hear, if water is drained.. Damages due to a blocked safety valve are not covered by the manufacturer’s warranty.

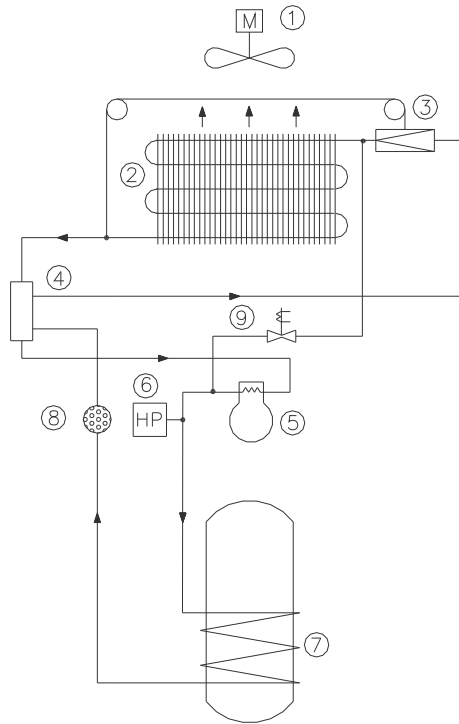
SCALDING SAFETY:

Under normal operation conditions scalding hazard can be excluded. Scalding hazard might occur, when using the electric supplementary heater (water can get up to 90°C) and if there is a failure of the thermostat built into the electric heating element. In this case the electric heater might heat the DHW up to approx. 95°C - 98°C, before the safety thermostat is triggered. To avoid scalding hazard you can build in a thermostatic mixing valve on the hot water side in order to have a pre-set maximum temperature for the complete DHW installation. The water temperature will usually not exceed than 65°C, when these kinds of valves are installed.



COOLING CIRCUIT

HOW DOES IT WORK?:



956052

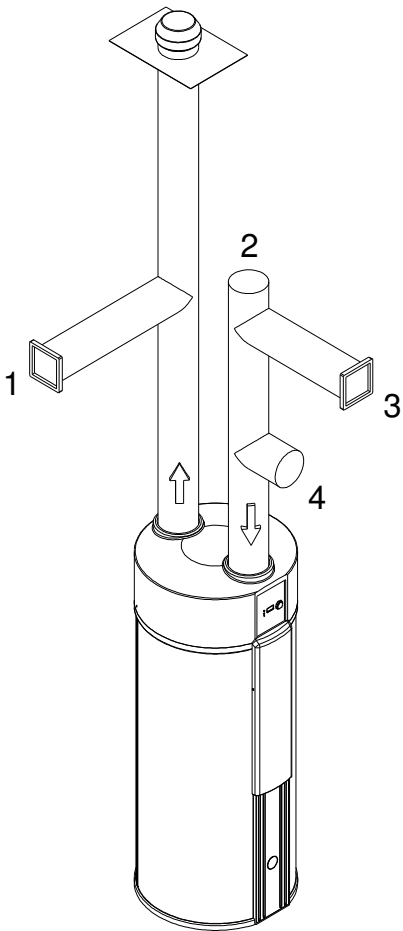
- 1: Ventilator – Fan – Ventilator.
- 2: Verdampfer – Evaporator – Fordamper.
- 3: Thermostventil – Expansion valve – Ekspansionsventil.
- 4: Wärmetauscher – Heat exchanger – Varmerveksler. *
- 5: Kompressor – Compressor – Kompressor.
- 6: Høchdruckpressostat – Highpressure switch – Højtrykspresostat.
- 7: Verflüssiger – Condenser – Kondensator.
- 8: Trockenfilter – Dry filter – Tørfilter.
- 9: Magnetventil – Solenoid valve – Magnetventil. *

* Nur VT3130, VT3131, VT3132

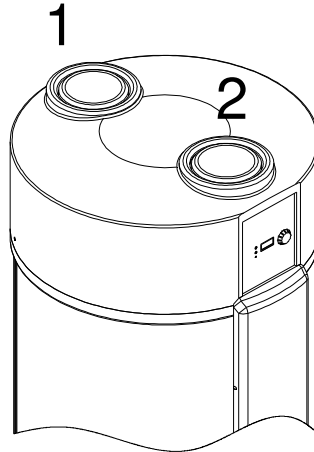
Refrigerant vapours are compressed in the compressor (5) from low pressure (6 bar) to high pressure (18 bar), and sent into the D-tube condenser (7), coiled round the hot-water tank, which is colder than the refrigerant vapours. A condensation of the refrigerant vapours takes place and the water in the tank is heated. The refrigerant is now a liquid and passes through the dry filter (8), which will absorb and detain residual moisture from the refrigerant, if any. In the heat exchanger (4) a further transfer of heat is possible. The purpose of the expansion valve (3) is to regulate the supply of liquid to the evaporator (2). A high-pressure sensitive switch (6) secures the cooling circuit against an inadmissible overpressure.

DUCT CONNECTION

AIRFLOW SCHEMES:



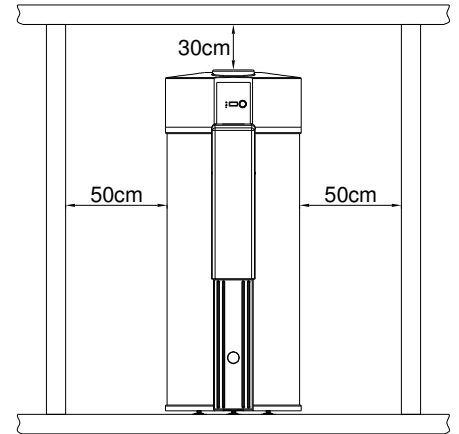
954012



954012

- 1: Air outlet
- 2: Air inlet
- 3: Air outside
- 4: Air inside

By air recirculation the room must be at least 20m³



954012

The air can be taken from the room in which the heat pump is placed, from another room or from outside. In the latter cases the heat pump can be equipped with duct connections, both at the air inlet and at the air outlet. The air inlet and the air outlet are located at the top of the heat pump. The ducts should be used with thermal and acoustic insulation.

The duct connections are $\varnothing 160$ mm. To ensure sufficient air flow the following rules should be observed: The total duct length (suction and pressure ducts) should not exceed 7 m with 160 mm ducts. Minimum airflow 200 m³/h. The number of bends should be reduced to 2. When using the air from outside, please respect the HP operating temperature range.

EXTERNAL CONTROLLED DHW PRODUCTION

USE OF SOLAR CELL FUNCTION

You can operate your DHW HP environmentally friendly and economically with energy generated by your photovoltaic solar cell installation. This operation mode uses an increased set point temperature, which can be individually selected and determines the additional energy storage capacity. In order to use this kind of operating mode, you have to wire the solar cell inverter exit to the DHW HP controller terminal block and to select in the “SolCel” menu the desired operating mode “HP only”, “EL only” or “HP + EL”. See page 13.

Hint. The wiring of the controller determines the operating mode.

Wiring of a solar cell Installation

- ❖ The potential free contact of the inverter has to be wired to DHW HP controller. The selected connectors of the terminal block determine the operating mode possible, when the inverter contact is closed. The power level of the inverter exit can be adjusted. Please do select an appropriate power level in order to ensure a smooth operating (consider the instructions of the inverter producer). See “wiring diagram”, page 12”.
- ❖ Wiring recommendations

SINGLE INVERTER OPERATION:

Connect the inverter exit to the terminal block CN6 connectors 5 –6 (T3). Bridge terminal block CN6 connectors 5 –6 to terminal block CN5 connectors 3-4 (T4).

TWO INVERTER OPERATIONS:

Connect the first inverter to terminal block CN6 connectors 5 –6 (T3) for HP operation.

Connect the 2nd inverter to terminal block CN5 connectors 3-4 (T4) for auxiliary electrical (EL) operation.

- ❖ The desired operation mode "only HP", "only EL" or "HP + EL" can be selected via the parameter value of the "SolCel" parameter.

You operate your DHW HP with self-generated energy, when the inverter contact is closed and the „SolCel” function is activated. The display indicates the actual preselected operation mode "only HP", "only EL" or "HP + EL". If the inverter contact re-opens (not enough energy available) the operation mode and the display will be reset to normal operating mode.

The set point for “**only HP**” can be adjusted in the menu “**SC-HP**” in between 5°C and Tmax.
Factory setting is 52°C.

The set point for “**only EL**” or “**HP + EL**” can be adjusted in the menu “**SC-HP**” in between 5°C and Tmax.
Factory setting is 53°C.

If the solar function is deactivated, it will change to normal operation mode. with the settings of the normal set point.

The heat pump operates with a hysteresis of +1 -3°C around the set point. The supplementary heating operates with a hysteresis of +-1°C.

Please take care that the inverter potential free exit is equipped with gold plated contacts because of the low intensity current.

USE OF HOLIDAY FUNCTION

With the use of the holiday function you are able to lower the power consumption during your holiday and absence from home. When activated, the hot water production will be locked unless the DHW temperature is equal to “**T2 min**”. See page 11. At the “**T2min**” temperature level the HP will resume working, in order to protect the device and the installation against frost. Should the temperature fall below “**T2 min**” -1°C, the supplementary heating will be released. If the temperature falls further below “**T2 min**” -3°C the heat pump will also start. When the temperature reaches “**T2 min**” +1°C the DHW production will be locked again.

The “holiday” parameter menu has 5 possible choices:

- 1 week
- 2 weeks
- 3 weeks
- 3 days, for an extra-long weekend
- Manually setting of days (1 – 99)*

*There will be an uncertainty of +-3% when using manually setting of days.

- 21 days = +- 0.6 days
- 50 days= +- 1.5 days
- 99 days= +- 3.0 days

USE OF BOOST FUNCTION

The “BOOST” mode gives you the possibility to generate DHW faster and in excess quantity in the case of urgent or occasional need for DHW (family visit, the sports team of your children comes for a shower, etc.) To activate the “BOOST” cycle, select the menu parameter “**Boost**” and the value “**on**”. During the “BOOST” cycle the HP and the supplementary heating will operate simultaneously for 1 hour maximum or until “Tmax” is reached. If you need still more DHW you have to activate the boost function again.

USE OF EXTERNALLY CONTROLLED DHW PRODUCTION

You can control the DHW production externally by means of a potential free contact (energy counter, external timer, etc.). This function gives you the possibility to generate DHW in a specific period (e.g. off-peak tariff production, acoustic comfort preference, etc.).

Important!

Do not use an external timer to cut the power supply, use instead the externally controlled DHW production, by wiring the external potential free contact to terminal block CN5 connector 5 and 6. “**See page 12 for wiring diagram**”.

Please note that the external contact or timer must have gold-plated contacts due to low current operation. When the contact is “closed” the DHW production is locked, while the frost protection is activated. When the contact is open, the DHW HP operates in the selected operating mode.

At the “T2min” temperature level the HP will resume working, in order to protect the device and the installation against frost. Should the temperature fall below “**T2 min**” -1°C, the supplementary heating will be released. If the temperature falls further below “**T2 min**” -3°C the heat pump will also start. When the temperature reaches “**T2 min**” +1°C the DHW production will be locked again.

MAINTENANCE AND CARE

Your DHW HP is working automatically. Nevertheless it needs some care and maintenance. We recommend to sign a service contract with your installer or to include it into an existing service contract with your specialized service provider.

CARE BY THE END USER:

The DHW HP does not need specific care or maintenance by the end-user. Nevertheless the responsibility of the user is:

- To check the security valve regularly
- To check the displays for alarms.
- To clean air in- and outlet from dust
- To check the installation for leakages
- To check and clean the drain connector/hose.
- To inform the installer if necessary.

MAINTENANCE BY THE INSTALLER:

- **General check:**
The installer has to check on smooth operating and the state of the installation (safety group, leakages, excess pressure etc.).
- **Maintenance of the anode**
The state of the anode is either checked automatically (signal anode) or has to be checked manually at least once a year. The checking interval is dependent on the local water composition. In extreme cases it might be necessary to check the anode more often. Your installer should be perfectly aware of the local conditions to advise the best interval. To inspect the anode, the front door must be removed. The anode is situated in the middle of the tank behind the front plate. It must be replaced when the diameter is < 10 mm. The absolute minimum limit for the anode diameter is 6 mm. With < 6 mm anode diameter the additional catholic protection will not work (no manufacturer's warranty).
- **Maintenance of the evaporator**
Examine the evaporator, and if necessary remove dust and dirt, once or twice a year. To inspect the evaporator, remove the air grating/duct connections. Dust particles can obstruct the air circulation, and this will reduce the HP performance considerably. Clean the evaporator with water and a brush. Be careful and avoid damaging the fins of the evaporator and keep the water away from the electrical parts
- **Maintenance of the drain**
The discharge pipe of the heat pump must be connected to a drain in accordance with the present regulations. The defrost/condensed water outlet of the heat pump must always be kept free from dirt. How often this has to be done, depends on the local conditions concerning dirt and temperature.
The user is responsible for checking and cleaning the drain water outlet/hose. This issue has also to be checked by the installer during the maintenance service.

NOTE: A defective drain might cause multiple damages, such as defect electronic part, external corrosion, rotten insulation. The manufacturer's warrantee does not cover these damages.

Auxiliary/supplementary heating systems

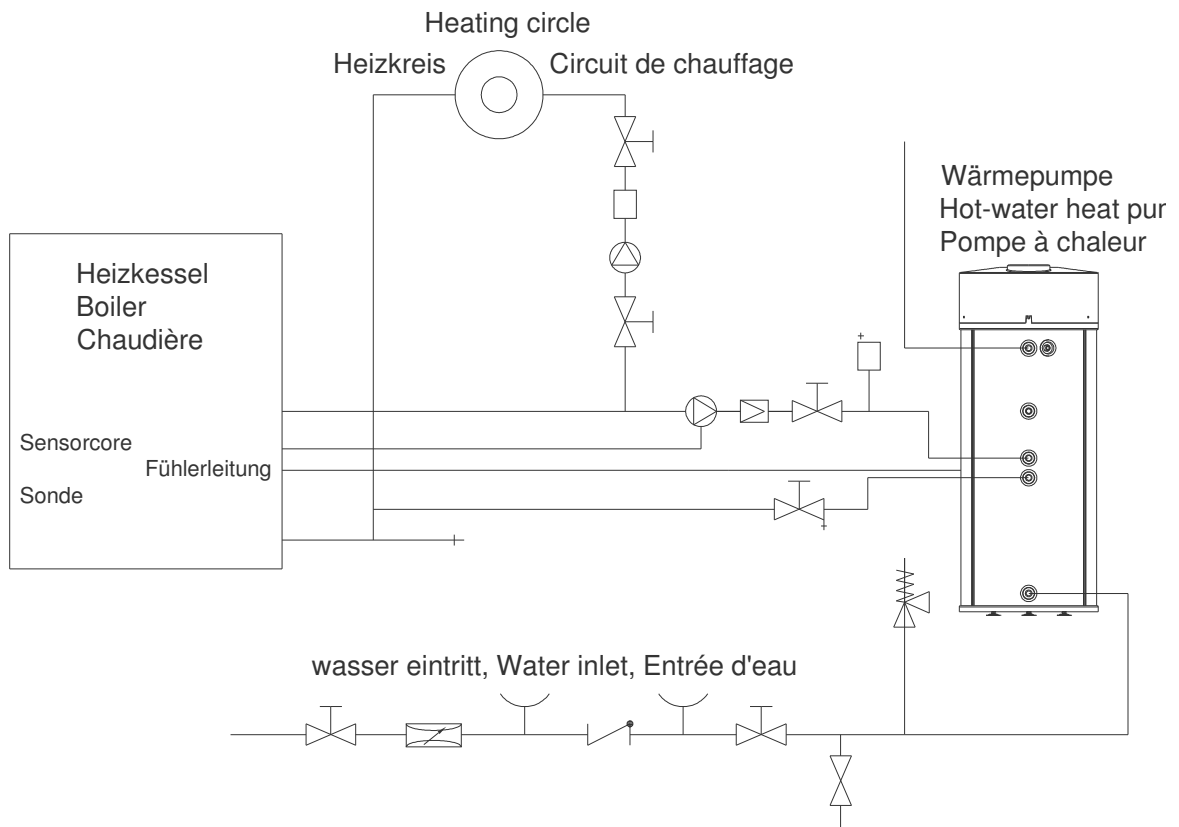
External boiler connection and control

Example of a boiler/solar connection

HP parameter status: "HP+Boil".

When the temperature is below $T_{min} - 1^{\circ}\text{C}$ the supplementary heating starts. The supplementary heating stops when the temperature is above $T_{min} + 1^{\circ}\text{C}$. With T_{min} is set to 35°C , the boiler will generate DHW at 35°C , even if the HP cannot provide sufficient energy or is even locked.

Wiring: Connect the boiler to the terminal block CN2-5 (Phase) and CN2-6 (neutral). Supplementary boiler heating control (230 V AC, 10amp).



957084

SUPPLEMENTARY ELECTRIC HEATING:

The upper part of the tank can be heated quickly by using the electrical heating element. The heating element is activated in the menu parameter "**H.pump**" selecting the value "**EL**" alone or with heat pump "**HP + EL**". T_{min} is set to the desired minimum temperature. When water temperature is below T_{min} the heating element will support the heating until the temperature T_{min} is reached. The heating element is equipped with a safety and an operational thermostat. The safety thermostat cuts-off when the safety level 75/85 °C is reached. If the safety lock function has been released, your installer must reset it manually. With regard to the location of the heating element, refer to page 7.

USER HINTS

You are using a top quality DHW HP. In order to benefit most of the performance here are some hints.

DHW set point temperature

The performance of your HP depends on your water consumption, the set point temperature and the ambient air temperature. If you consider that the average water consumption per person per day is 125 l, of which 1/3 is hot water, the daily hot water consumption would be 160 l for a 4-person household at average comfort and 240 l at high comfort level.

The performance of the DHW HP decreases with rising DHW temperature. We therefore recommend setting the set point for DHW to 45°C. If this should not be sufficient for your individual comfort and consumption, you can increase the set point temperature.

The performance of your DHW HP is increasing with the air inlet temperature. The selection of the location is therefore an important choice.

The maintenance and care of the device guarantees an outstanding performance and a long product life.

IMPORTANT

IMPORTANT:

You're Service Engineer

Later on it might be useful to have the name and telephone number of the service engineer for which reason we recommend you to fill in the following:

Name:

Address:

Telephone No. :

Telefax No. :

Date of Installation:

Type: Domestic Hot Water Heat Pump

Model: VT31xx (see model type)

Serial Number:

DIE BRAUCHWASSERWÄRMEPUMPE (BWWP)

Allgemeines

Ihre BWWP hat verschiedene Wärmequellen zur Erzeugung von Warmwasser (WW) zur Verfügung. Die wichtigste, die integrierte Wärmepumpe (WP), deckt den WW-Bedarf einer Familie über das ganze Jahr. Das Modell VT3131 hat im Speicher einen integrierten Zusatz-Wärmetauscher, der den Heizkessel einer Zentralheizung als zusätzliche Wärmequelle nutzen kann, oder aber mit Überschusswärme (beispielsweise an kühlen Sommerabenden, wenn die Zentralheizung ausgeschaltet ist) ein Badezimmer oder andere kleine Räume beheizen kann (siehe Seite 40 „Anschluss-Beispiele“). Die Installation und Inbetriebnahme Ihrer BWWP muss entsprechend den anerkannten Regeln der Technik, den geltenden Normen, den örtlichen Vorschriften für Wasser- und Elektroinstallationen und der Betriebsanleitung (den Vorschriften des Herstellers) durch einen zugelassenen Installateur erfolgen. Vor der Erstinbetriebnahme oder nach einer Entleerung des WW-Speichers muss dieser und die gesamte Installation mit Wasser gefüllt und auf Dichtheit kontrolliert werden. Vergewissern Sie sich, dass der Aufstellungsort ausreichend belüftet ist (bei raumluftabhängigem Betrieb). Bei einer Zuluft-Temperatur von 15°C benötigt die WP ca. 8-10 Stunden um den gesamten Speicherinhalt auf 45 – 55°C aufzuheizen. Wählen Sie für den Anfang auf dem Bedienfeld den WP-Modus (Wärmepumpe), evtl. auch in Verbindung mit der Zusatzheizung, aus.

HINWEIS: Dieses Gerät darf nicht durch Kinder oder Personen mit eingeschränkten körperlichen, sensorischen oder geistigen Fähigkeiten oder Personen, denen es an Kenntnissen und Erfahrung mangelt, benutzt werden, es sei denn sie werden entsprechend angeleitet und überwacht. Stellen Sie sicher, dass Kinder nicht mit dem Gerät spielen.

Funktionsprinzip der BWWP

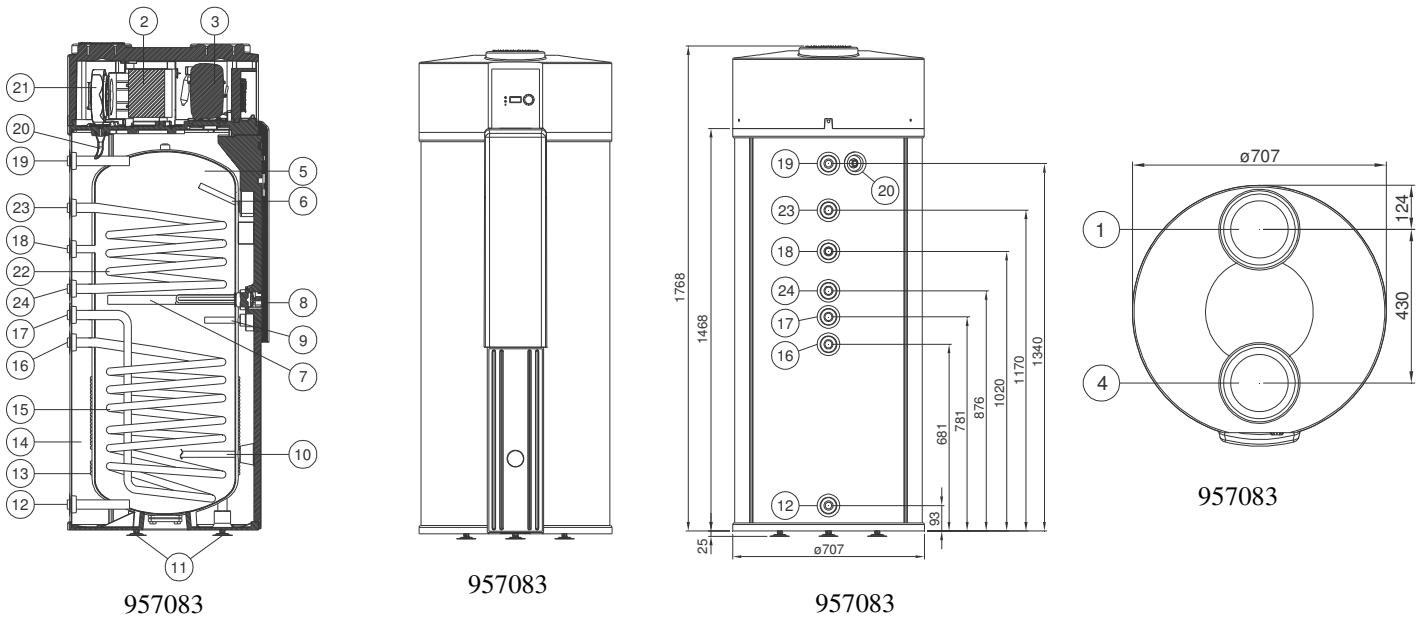
Die Wärmepumpe arbeitet nach dem Luft/Wasser Prinzip: Die Umgebungsluft wird mit einem Lüfter durch den Verdampfer geleitet, welcher der Luft thermische Energie entzieht und diese an den Verdichter (Kompressor) weiterleitet. Im Kompressor wird die Energie auf ein höheres Temperaturniveau gebracht, um dann über den Kondensator (Wärmetauscher) an den WW-Speicher abgegeben zu werden.

Bei der Luft/Wasser WP wird weniger elektrische Energie eingespeist, als thermische Energie erzeugt wird. Die Energiedifferenz holt sich die WP aus der Luft. Die Wärmepumpe ist daher die bevorzugte Energiequelle zur WW-Bereitung, da hierdurch ca. 70% Energie und Energiekosten eingespart werden.

Technische Daten

Abmessungen:	H: 1768mm, Ø707mm
Leergewicht (netto):	145-168-190 kg
Spannung/Frequenz:	230 V / 50 Hz Einphasen-Wechselstrom, Erde
WP Leistungsaufnahme:	395 Watt*
WP Leistungsabgabe (thermisch):	1421 Watt*
Zusatzheizung:	2000 Watt/230 V
Absicherung (mit Zusatzheizung):	> 13 A
Thermostat der Zusatzheizung:	Einstellung auf 65°C, verstellbar über Bedienfeld
Kältemittel:	siehe Typenschild
Luftdurchsatz:	Min/Max. 200/300 m ³ /h
Zuluft-Temperatur: VT3130/VT3131/VT3132	Min. -10 °C bis max. +35 °C
Speicher: VT3130	Emailliert, 266 l
Speicher: VT3131	Emailliert, 258 l
Speicher: VT3132	Emailliert, 242 l.
Nennndruck:	Max.1 MPa / 10 bar
Anode:	Magnesium - 5/4" RT
WW-Temperatur:	Einstellbar - max. 62 °C
WW-Menge in 24 Std.:	850 l / 24h
Stillstandverlust - bei 15 °C Zuluft-Temperatur und 55 °C WW-Temperatur - gemessen nach DIN 8947:	0.7 kWh/24h
Wasseranschlüsse	– Kaltwasser: 1" RT
	– Warmwasser: 1" RT
	– Kondensat Ablauf: 1/2" RT
	– Wärmetauscher: 1" RT
	– Zirkulation: 3/4" RT
Wärmetauscher-Oberfläche VT3131:	1.00 m ² (5.90 l)
Wärmetauscher-Oberfläche VT3132:	Unten 1.5 m ² (9.57 l) + oben 0.6 m ² (3.83 l)
Stocking und transport temperature	-20°C to 60°C
*Nach ASHRAE	

KONSTRUKTIONSSCHEMA - ABMESSUNGEN VT3130 / VT3131 / VT3132



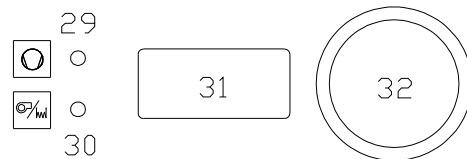
- | | |
|------------------------------------|--------------------------------|
| 1. Luft-Auslass | 14. Isolierschaum |
| 2. Verdampfer | 15. Wärmetauscher (WT), unten* |
| 3. Kompressor | 16. WT-Einlass, unten* |
| 4. Luft-Einlass | 17. WT-Auslass, unten* |
| 5. Speicher, emailliert | 18. Zirkulations-Anschluss |
| 6. Tauchhülse für Zusatz-Fühler | 19. WW-Anschluss |
| 7. Anode | 20. Abtau-Wasserabfluss |
| 8. Zusatzheizung | 21. Lüfter |
| 9. Tauchhülse für Temperaturfühler | 22. Wärmetauscher (WT), oben** |
| 10. Anode* | 23. WT-Auslass, oben** |
| 11. Höhenverstellbare Füße | 24. WT-Einlass, oben** |
| 12. Kaltwasser-Anschluss | |
| 13. Kondensator (Aluminium) | |

*Nur VT3131 und VT3132

**nur VT3132

BEDIENFELD

29. Dreh-/Druck Regelknopf
 30. Anzeige (Display)
 31. LED Betriebs-/Störungsanzeige WP
 32. LED Betriebs-/Störungsanzeige Zusatzheizung



WÄRMETAUSCHER (WT)

Die BWWP VT3131 ist mit einem (internen) Wärmetauscher (20) mit 1.0 m² Heizfläche ausgestattet. Die BWWP VT3132 hat 2 Wärmetauscher (20) + (17) mit einer Heizfläche von 1.5 m² für den unteren und 0.6 m² für den oberen WT. Beim Anschluss von 2 externen Heizquellen, wie z.B. Solarthermie und eines Öl- oder Gaskessels, muss das Solarsystem an den unteren WT und der Öl- oder Gaskessel an den oberen WT angeschlossen werden. Es ist auch möglich beide WT in Serie zu schalten und an nur eine Heizquelle anzuschließen.

HINWEIS: Bei der Nutzung des Zusatz-WT muss die Zulauf- und Speicher-Temperatur thermostatisch geregelt werden, um die Einhaltung der Temperaturgrenzen zu gewährleisten, wobei die Begrenzung der Speichertemperatur Priorität genießt. Die Temperatur im WW-Speicher darf 65°C nicht übersteigen, da ansonsten der Kältekreislauf beschädigt werden kann. Schäden, die an dem Gerät durch Überhitzung entstanden sind, sind von der Gewährleistung des Herstellers ausgenommen.

INSTALLATION DER BWWP

WAHL DES AUFSTELLUNGORTS

Die BWWP sollte möglichst in der Nähe der WW-Leitung aufgestellt werden. Dadurch werden Wärmeverluste niedrig gehalten. Der innenliegende Aufstellungsort muss trocken, staubfrei und ganzjährig frostfrei sein. Der Untergrund muss eben, waagrecht und tragfähig (er muss das Gewicht der gefüllten BWWP von ca. 430 kg dauerhaft aushalten) sein. Kleinere Unebenheiten können mit Hilfe der höhenverstellbaren Füße ausgeglichen werden. Sollte die BWWP während der Nachtzeit betrieben werden (günstiger Stromtarif), so ist ein Aufstellungsort in der Nähe von Schlafzimmern vermieden werden. Selbst wenn die BWWP objektiv sehr leise arbeitet, können sich dennoch empfindliche Hausbewohner gestört fühlen. Die BWWP muss so installiert sein, dass Sie problemlos zugänglich ist. Alle Schäden, die durch eine unzureichende Zugänglichkeit (unmögliche Kontrolle, Wartung und Reparatur liegen in der Verantwortung des Installateurs/Betreibers und sind nicht durch die Herstellergarantie abgedeckt.

HINWEIS: Bitte beachten Sie ebenfalls ergänzende Bauvorschriften und Normen.

Falls der Wärmetauscher- und/oder Zirkulations-Anschluss nicht genutzt wird, muss dieser ordnungsgemäß verschlossen und isoliert werden, um Wärmeverluste zu vermeiden.

Bei der BWWP kann die Zuluft im Aufstellungsraum (raumluftabhängig), oder aus Kellern, Nebenräumen oder von außen (raumluftunabhängig) angesaugt werden. Unabhängig von der Art der Anbindung gelten folgende Grundregeln für die Luftqualität und den Luftstrom:

- die angesaugte Luft muss staub- und fettfrei sein
- die Luftquelle sollte freie kostenlose Energiepotentiale nutzen (Abwärme aus Waschküche, Garage Keller usw.)
- die Zuluft Temperatur muss $> -10^{\circ}\text{C}$ sein
- der Raum, aus dem die Luft angesaugt wird profitiert von der „Entfeuchtung“
- die Abluft kann beispielsweise zur Abkühlung/Temperierung eines Vorratskellers (Weinkeller) genutzt werden.

Die einfachste Art der Installation ist die raumluftabhängige Installation (Umluft Betrieb):

Bei dieser Installationsart wird die Luft im Aufstellungsraum angesaugt und wieder ausgeblasen. Die Installation erfordert keine Verrohrung, , muss aber die folgenden Bedingungen erfüllen:

- Volumen des Aufstellungsraums $> 20 \text{ m}^3$
- Freie Luft Ein- und Auslässe, , keine Luft-Rückkopplung (Luft-Kurzschluss zwischen Ein- und Auslass).
- Ausreichende Belüftung des Aufstellungsorts (Zuluft Strom $> 200 \text{ m}^3/\text{h}$)
- Keine Beheizung des Aufstellungsorts

Bei dieser Installationsart wird die Lüfter Geschwindigkeit auf „schnell“ gesetzt, jedoch ist es ohne merklichen Leistungsverlust auch möglich, den Lüfter in der Stufe „langsam“ zu betreiben, falls dies aus Komfortgründen erwünscht wird.

Einseitige oder beidseitige Verrohrungen können den Wirkungsgrad erhöhen. Bitte beachten Sie:

- die einseitige Verrohrung wird üblicherweise auf der Auslass Seite verwendet um die abgekühlte Luft zu evakuieren.
- Einseitige Verrohrung verringert den Geräuschpegel

Eine beidseitige Verrohrung ermöglicht eine Wahl des Aufstellungsorts unabhängig von Luft Ansaugen und Ausstoß.

Die beidseitige Verrohrung wird in der Regel bei der Verwendung von außen Luft als Luftquelle verwendet. Bei dieser Installationsart muss die Lüfter Geschwindigkeit „schnell“ gewählt werden.

Die BWWP kann auch an die Verrohrung eines Wohnungslüftungssystems angeschlossen werden. Bitte beachten Sie in diesem Fall, dass der Luftstrom aus der Wohnungslüftung den Anforderungen der BWWP entspricht. Der Luftstrom kann auch wenn die WP nicht in Betrieb ist, konstant mit wählbarer Geschwindigkeit aufrechterhalten werden.

(siehe Kapitel „Luftabschluss – Verrohrung“)

INSTALLATIONSVORBEREITUNG

Die BWWP wird voreingestellt und steckerfertig geliefert. Verbinden Sie einfach die Wasseranschlüsse mit der Hausinstallation und schließen Sie den Kunststoffschlauch (20) zur Ableitung des Kondensats an einen Abfluss an. Die Maßzeichnung zeigt die Abmessungen und die Anordnung der Anschlüsse.

Warnhinweis: Vor der Inbetriebnahme muss die BWWP vollständig mit Wassergefüllt sein. Erst dann darf die Anlage mit dem Netz (230V) verbunden werden.

Allgemeine Installationsregeln zur Korrosionsverhinderung

Alle Komponenten Ihrer BWWP genügen den höchsten Qualitätsansprüchen und sind auf lange Lebensdauer ausgelegt. Der Speicher Ihrer BWWP besteht aus hochwertigem Stahl (Nenndruck 10 bar!) und ist innen komplett mit einer Glasur beschichtet. Zusätzlich ist Ihre Anlage mit einem kathodischem Korrosionsschutz (Magnesium Anode) ausgestattet um das geräteseitige Restrisiko auszuschalten.

Anlagenseitig ist darauf zu achten, dass Kupferrohr und verzinktes Stahlrohr bzw. Stahlittings nicht direkt verbunden werden dürfen. Der Einsatz von Trenn (Isoliere.) Verschraubungen sind in diesem Fall zwingend vorgeschrieben.

ACHTUNG. Die Installation muss den Normen, Gesetzen und dem Stand der Technik entsprechen. Der Hersteller übernimmt keine Haftung für Schäden, die auf einer nicht konformen Installation oder Wasserqualität beruhen.

HYDRAULISCHER ANSCHLUSS

Der Wasseranschluss und die Inbetriebnahme muss entsprechend den geltenden Gesetzen, Normen und örtlichen Vorschriften für Trinkwasser und zur Hausinstallationen durch einen zugelassenen Fachmann ausgeführt werden.

KALTWASSER ANSCHLUSS

Die BWWP versorgt über den (Druck-) Speicher (mit dem Versorgungsdruck) die verschiedenen WW-Zapfstellen. Entsprechend den geltenden Regeln muss der Kaltwasseranschluss mit einem Entleerungs-, einem Sicherheitsventil und einem einstellbarem Rückfluss-Verhindere ausgestattet sein. Diese Armaturen gehören nicht zum Lieferumfang. Wir empfehlen zugelassene Fittings für die Anbindung der BWWP zu verwenden, um Geräuschbildung in den Rohrleitungen zu vermeiden. Bezüglich des WW-Anschlusses bestehen mehrere Möglichkeiten.

WW-ANSCHLUSS

Bitte beachten Sie die speziellen Hygieneregeln für Trinkwasserinstallationen. Der Anschluss muss den anerkannten Regeln der Technik entsprechen. In Abhängigkeit von den verwendeten Materialien ist eine galvanische Trennung vorzusehen. Die BWWP kann als alleiniger WW-Erzeuger sowohl in Neuanlagen, als auch als vollständiger Ersatz für den WW-Erzeuger in bestehenden Anlagen genutzt werden, oder aber zusammen mit anderen WW-Erzeugern, genutzt werden. ACHTUNG: Die BWWP darf nur in Betrieb genommen werden, wenn sichergestellt ist, dass der Speicher vollständig gefüllt ist. Öffnen Sie hierzu während der Befüllung höchstliegende und am weitesten entfernte WW-Zapfstelle, bis dort Wasser austritt. Bei der Erstinbetriebnahme oder nach einer Entleerung des Speichers für Wartungszwecke dauert die Aufheizphase bei einer Wassertemperatur von 45-55°C und einer Zuluft-Temperatur von 15°C ca. 8 bis 10 Stunden.

ISOLIERUNG DER ANSCHLÜSSE

Die gesamte Verrohrung muss wärmeisoliert sein, um Wärmeverluste zu vermeiden. Die Zirkulations- und Wärmetauscher-Anschlüsse müssen ebenfalls wärmeisoliert werden. Werden diese Anschlüsse nicht benutzt, müssen diese verschlossen und isoliert werden.

HINWEIS: Eine ordnungsgemäße Isolierung der WW-Leitungen ist eine unabdingbare Maßnahme, um die volle Leistungsfähigkeit der Anlage zu ermöglichen. Die Nichtbeachtung kann zu Beschwerden der Benutzer führen.

KALTWASSERANSCHLUSS-SCHEMA

1: Kaltwasser-Anschluss

2: **Kugelventil 1"**: muss beim Betrieb geöffnet sein.

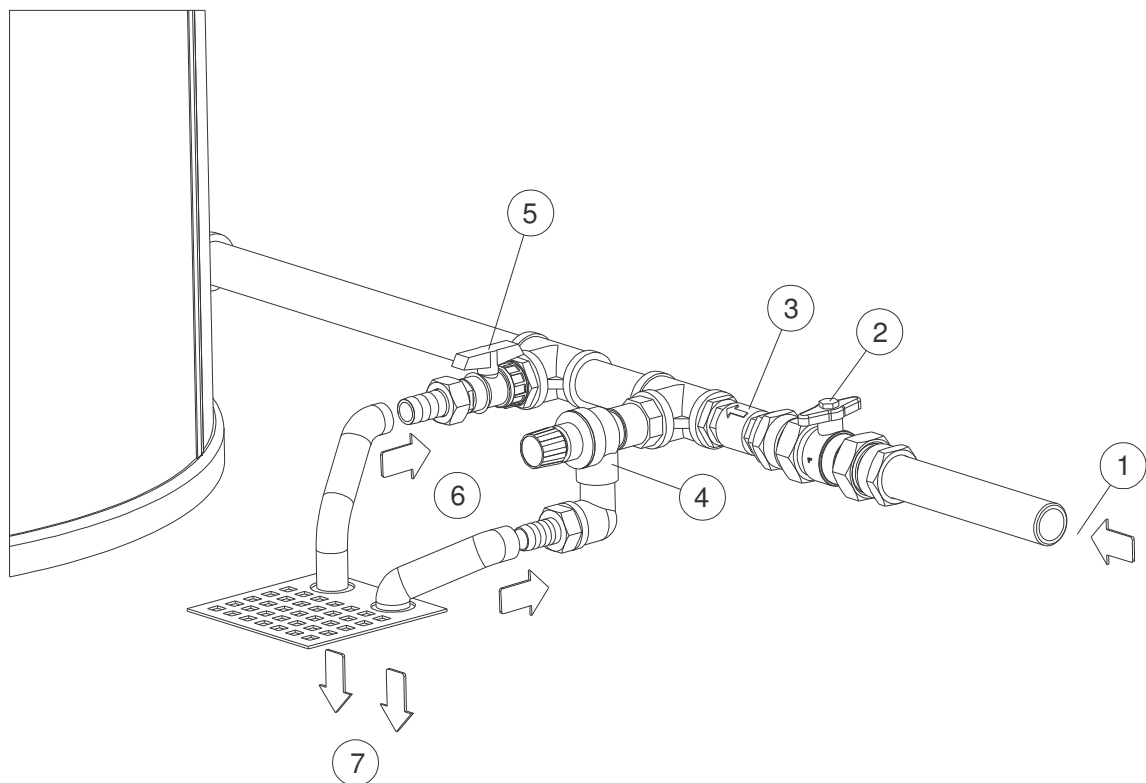
3: **Rückflussverhinderer 1"**: verhindert, dass WW in die Kaltwasserinstallation zurückströmt.

4: **Sicherheitsventil 1"**: max. Druck 1 MPa / 10 bar. Das angeschlossene Abflussrohr muss frostfrei und mit natürlichem Gefälle verlegt sein

5: **Entleerungsventil 1"**: wird zur Entleerung des Speichers geöffnet.

6: **Abflussrohre**: zur Ableitung des Wassers vom Sicherheitsventil und von der Entleerung.

7: **Abfluss**: Führen Sie die Abflussrohre vom Sicherheitsventil und von der Entleerung zum Abfluss.



957085-01

ZIRKULATIONSLEITUNG

Wir empfehlen auf den Gebrauch der Zirkulationsleitung – falls dies nicht aus Komfortgründen oder auf Grund von Vorschriften des Wasserversorgers (z.B. „3-Liter Regel“) unbedingt nötig ist – zu verzichten, da diese zum „Energieverschwender“ werden kann.

Falls Sie eine Zirkulationsleitung verwenden, muss diese ordnungsgemäß dimensioniert und isoliert werden und bedarfsgesteuert betrieben werden. Hierfür kann eine elektronische Steuerung verwendet werden, die bei Bedarf die Zirkulationspumpe kurzzeitig ansteuert und sich Nutzungsprofile merkt (z.B. Zirk 24). Die Positionierung des Zirkulationsanschlusses hilft, Kalkablagerungen in den Leitungen zu verhindern. Sollten die örtlichen Bauvorschriften bestimmte Mindesttemperaturen an den Zapfstellen vorschreiben, so kann dies ggfs. auch durch Leitungen mit integrierten selbst-regulierenden Heizkabeln erreicht werden

WARMWASSER-BEREITUNG

Die WW-Bereitung kann über die Wärmepumpe (WP), die elektrische Zusatzheizung und/oder eine externe Heizquelle (Heizkessel, Solarstation...) erfolgen. Die Energiequellen werden im Einstellungs Menü ausgewählt. Diese können einzeln oder in Kombination ausgewählt werden, wobei die Kombination „elektrische Zusatzheizung und externe Energiequelle gleichzeitig“ ausgeschlossen ist.

Die Solltemperatur des Warmwassers, sowie die Mindesttemperatur sind unabhängig voneinander frei einstellbar über die Menüpunkte „Tsoll“ bzw. „Tmin“.

Temperatur-Einstellbereich: von 5 °C bis T max Die Werkseinstellung für T min ist 35 °C und für die WW-Solltemperatur (Tsoll) 55 °C.

Die WW-Bereitung bis zur Solltemperatur wird, abhängig von der gewählten Energie Art, unter Normalbedingungen entweder mit der Wärmepumpe (Energieart Auswahl „W.Pumpe“, „WP + EL“, „WP + Kessel“) oder aber mit der Zusatzheizung (Energieart Auswahl „EL“ oder „Kessel“, durchgeführt. Ist die WP inaktiv (z.B. wenn die Zuluft Temperatur außerhalb des zulässigen Betriebsbereichs liegt), wird der WW-Speicher bis zur Solltemperatur mit der elektrischen Zusatzheizung oder den externen Energiequellen aufgeheizt (je nach Energieart Auswahl „WP + EL“, „WP + Kessel“). Die WP arbeitet mit einer Hysterese von +1 -3 °C bezogen auf die Solltemperatur. Alle anderen Heizquellen arbeiten mit einer Hysterese von + -1 °C.

Die BWWP ist mit einer kontinuierlichen und automatischen Entfrosthung ausgestattet. Dieses System verringert den Bedarf an Enteistung und erhöht gleichzeitig die Wirtschaftlichkeit der WP (längere Laufzeiten). Dennoch kann es vorkommen, dass der Verdampfer (besonders bei sehr niedrigen Außentemperaturen und bei andauernd hohem WW-Bedarf) enteist werden muss. Ein Fühler überwacht die Verdampfer Temperatur und löst im Bedarfsfall automatisch einen Enteistungszyklus aus. Der Schwellwert für die Auslösung des Enteistungszyklus liegt beim Luftstrom-Verfahren bei -8°C und beim Heißgas-Verfahren bei -18°C. Bei einer Verdampfer Temperatur von +5 °C wird der WP-Betrieb wieder aufgenommen. Die Betriebsanzeige erfolgt durch die LED 29 und 30. Die obere LED (29) zeigt den WP-Betrieb, während die untere LED (30) den Betrieb mit anderen Wärmequellen anzeigt.

LED Zustandsanzeigen

- AUS: außer Betriebe (nicht freigegeben)
- Orange: im Bereitschaftsbetrieb
- Grün: in Betrieb, WW wird aufgeheizt.

ELEKTROINSTALLATION

Die BWWP ist werksseitig mit einem 2 m langen Anschlusskabel (3 x 1.5 mm²) ausgerüstet, das auf der Rückseite über eine Zugentlastung nach außen geführt wird. Die BWWP muss an eine Verteiler-Dose, die über einen Schutzschalter abgesichert ist, angeschlossen werden.

Anschlussleistung: siehe “ Technische Daten”.

Netzanschluss:

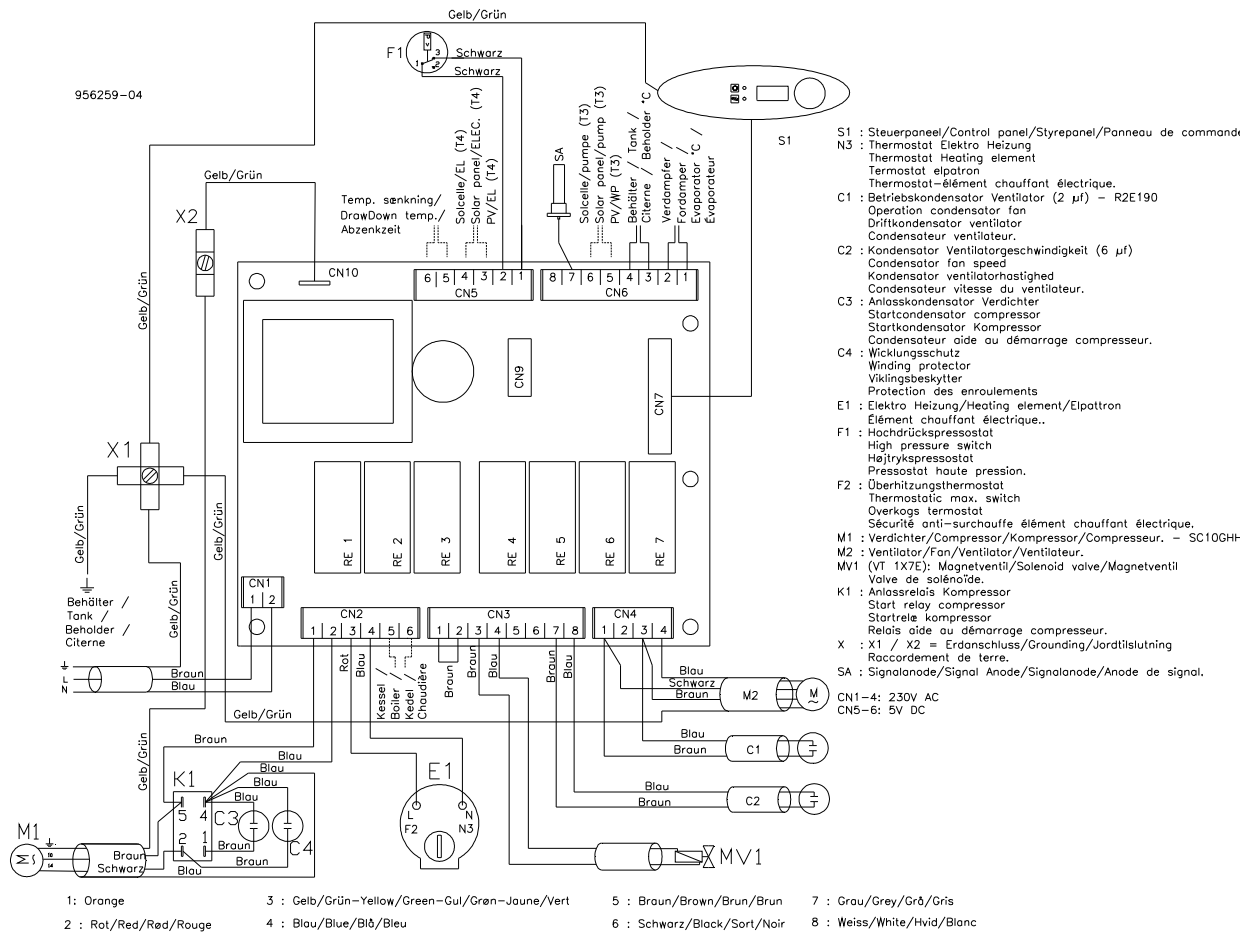
230V – 50Hz Einphasen-Wechselstrom

Phase –braun, Nullleiter – blau, Erde –gelb/grün.

HINWEIS: Das Gerät muss in Übereinstimmung mit den geltenden Gesetzen, Normen, Regeln der Technik, sowie den nationalen und örtlichen Vorschriften für Elektroinstallationen durch einen zugelassenen Fachmann installiert werden.

Sollte das Netzanschlusskabel beschädigt sein, darf dieses nur durch den Hersteller, seinen Kundendienst oder gleichwertig qualifiziertes Personal ausgetauscht werden, um Unfälle und Gefahr zu vermeiden.

Verdrahtungsplan



ELEKTRONISCHE REGELUNG

DISPLAY UND BEDIENFELD

Anzeige 2-zeilig (Bedienfeld Einstellungen, siehe Abb. Bedienfeld auf Seite 28).

Wasser
45°C

In der oberen Zeile wird die aktuelle Funktion (Menüpunkt) angezeigt.
In der unteren Zeile wird der Menüstatus oder der Funktionswert angezeigt.

- Die Bedienung erfolgt intuitiv mit dem Dreh-/Druckknopf (32), siehe Abb. Bedienfeld.
- Die Anzeige wird durch Drehen oder Drücken des Einstellknopfes aktiviert.
- Durch Drehen des Einstellknopfes können Sie 20 Menüpunkte aus dem Hauptmenü wählen. Der erste Menüpunkt am linken Anschlag ist "WASSER".
- Um den Menüstatus oder den Funktionswert zu ändern, Drücken Sie kurz auf den Einstellknopf. Die untere Anzeigezeile beginnt nun zu Blinken. Während des Blinkens kann durch Drehen des Einstellknopfes der gewünschte Wert ausgewählt werden. Ein kurzer Druck auf den Einstellknopf dient der Bestätigung und Übernahme des Wertes. Erfolgt die Bestätigung nicht, wird der ursprüngliche Wert beibehalten.
- Wird der Einstellknopf länger als 3 Sekunden gedrückt, wechselt die Anzeige zum Servicemenü. Hier werden die Anlageneinstellungen angezeigt

Jegliche Veränderung der Werte im Service Menü darf nur in Abstimmung mit dem Installateur durchgeführt werden.

HAUPTMENÜ – ANZEIGENÜBERSICHT

Sprache English	Nach dem ersten Einschalten der Netzspannung können Sie direkt die Anzeigensprache wählen. Werkseinstellung ist ENGLISH. Sie können wählen zwischen: Dänisch, Deutsch, Englisch, Spanisch, Französisch, Polnisch, Slowenisch, Italienisch . Falls die Spracheinstellung zu einem späteren Zeitpunkt geändert werden soll, benutzen Sie bitte das Service-Menü
Wasser 45°C	Nach dem Einschalten der Netzspannung erscheint diese Anzeige. Sie gibt die aktuelle tatsächliche WW-Temperatur an.
Verdamp 5°C	Verdampfer-Temperatur. Diese Anzeige gibt die aktuelle tatsächliche Verdampfer-Temperatur an.
Fehler 0 0 0	Störungsanzeige. Bis zu 3 Störungen können gleichzeitig angezeigt werden. "0" = keine Störung. Die Störungshinweise von 1 bis 10 werden in der Störungsübersicht auf den folgenden Seiten beschrieben. Diese Störmeldungen werden durch Drücken des Einstellknopfes quittiert und zurückgesetzt.
Status AUS	Aktueller Betriebszustand der WP. Die Anzeige kann dabei folgende Werte annehmen : "AUS" = ausgeschaltet, " Standby ", "W.Wasser " = in Betrieb, "Legionel" = 65°C Aufheizzyklus aktiv, "Def.Gas" – "Def.Air" - "Def.Stop"- = Abtau-Bedingungen (siehe Seite 36), " FEHLER ".
WW Soll 45°C	Zeigt die Soll-Betriebstemperatur des WW an. Einstellung der Temperatur: Nach einem kurzen Druck auf den Einstellknopf blinkt die Temperaturanzeige. Während des Blinkens kann der Sollwert durch Drehen des Einstellknopfes verändert werden. Durch nochmaliges kurzes Drücken des Einstellknopfes wird der gewünschte Wert bestätigt und übernommen. Die übliche Soll-Betriebstemperatur für WW liegt zwischen " 45°C " und " 55°C ". Hinweis! Dies ist nur eine Durchschnittstemperatur und nicht die Heißwasserausgangstemperatur.
T min 35°C	Mindesttemperatur. Einstellung der Temperatur: Nach einem kurzen Druck auf den Einstellknopf blinkt die Temperaturanzeige. Während des Blinkens kann der Sollwert durch Drehen des Einstellknopfes verändert werden. Durch nochmaliges kurzes Drücken des Einstellknopfes wird der gewünschte Wert bestätigt und übernommen. Die übliche Mindesttemperatur für WW liegt bei " 35°C ". Sinkt die WW-Temperatur unter " T min " wird ein Zusatzheizsystem zugeschaltet, vorausgesetzt, dass im Menüpunkt " W.Pump " beispielsweise die Werte. " WP+EL " (oder WP+KES für ext. Heizquelle) gewählt wurden.
T2 min 10°C	Ähnliche Funktion wie T min . Wird für die " Abschalt-Funktion " und " Ferien-Funktion " eingesetzt. Die Werkseinstellung beträgt " 10°C ".
W.Pumpe WP+EL	Hier können die Wärmequellen ausgewählt werden. Die folgenden Wahlmöglichkeiten sind vorgesehen: "AUS", "WP", "EL", "WP+EL", "KESSEL", "WP+KES". Falls keine externe Wärmequelle angeschlossen ist, entfallen die beiden letzten Wahlmöglichkeiten.
Legionel AUS	Aktivierung/Deaktivierung der Leginellen-Schutzfunktion. Bei Aktivierung (" EIN ") wird die BWWP das WW einmal wöchentlich auf 65°C aufheizen, um der Legionella Bildung vorzubeugen.
GebIKonf AUS	Lüftersteuerung im Bereitschaft Modus. Bei der Auswahl " AUS " wird der Lüfter zusammen mit der WP abgeschaltet. Bei der Auswahl " Niedrig " oder " Hoch " läuft der Lüfter in Stufe 1 oder 2 während des Bereitschaft Betriebs (= konstanter Luftstrom) .
GebIBetr High	Lüfter Geschwindigkeit bei WP-Betrieb. " Niedrig " = Stufe 1 " Hoch " = Stufe 2
PV.Ertra AUS	Das System ist an eine PV-Anlage angebunden, die den Betrieb der BWWP freischaltet. " AUS " = Die PV-Anlage ist nicht an das System angeschlossen oder deaktiviert. " Nur WP ", " Nur EL ", " WP +EL " = Die PV-Anlage schaltet den gewählten BWWP-Betriebsmodus frei. Siehe auch Seite 33 Verdrahtungsplan, Verbindung zur Regelung
PV-WP 52°C	5°C – T max . Solltemperaturbereich bei aktivierter PV-Funktion Dieser Parameter bestimmt die WW-Solltemperatur für die Betriebsart „nur WP“ bei aktivierter PV-Funktion.
PV-EL 53°C	5°C – T max . Solltemperaturbereich bei aktivierter PV-Funktion Dieser Parameter bestimmt die WW-Solltemperatur für die Betriebsarten „EL“ und „WP + EL“ bei aktivierter PV-Funktion.
Ferien AUS	"AUS", " 1 Woche ", " 2 Wochen ", " 3 Wochen ", " 3 Tage ", " Manuel " Deaktivierung/Aktivierung der Abwesenheitsfunktion und der Mindest-WW-Temperatur " T2 min ".
Url.Tage 1	1-99 Individuelle Festlegung der Abwesenheitstage. Die WW-Temperatur kann bis auf " T2 min " absinken

Tage 0	0-99 Anzeige der verbleibenden Abwesenheitstage.
Boost AUS	“AUS”, “EIN” Wird aktiviert um einen kurzzeitig erhöhten WW-Bedarf zu decken. Die BOOST-Funktion arbeitet mit Maximalleistung “WP+EL” bis “T max” erreicht wird, höchstens jedoch 1 Stunde.
VenPause 30	“AUS”, “30m/15s”, “30m/30s”, “60m/15s”, “60m/30s”, “90m/15s”, “90m/30s” Bei Aktivierung wird der Lüfter für 15 oder 30 Sekunden pro 30m, 60, oder 90m angehalten.

SERVICE MENÜ - ANZEIGENÜBERSICHT

Nur für den Installateur.

Sprache Deutsch	Dänisch, Deutsch, Englisch, Spanisch, Französisch, Polnisch, Slowenisch, Italienisch.
Software 1.35	SERVICE MENÜ – Nur für Installateure. Die Anzeige "Software" gibt die Software-Version an. Im Beispiel ist "1.35" die aktuell verwendete Software-Version
Abtau Gas	SERVICE MENÜ – Nur für Installateure “Abtau” Zeigt die Abtaumethode (3 Möglichkeiten) an: "GAS", für VT3130 / VT3131 / VT3132 Service Def.None, Def.Gas
Anode AUS	“AUS”, “EIN” Wird bei vormontierter Signalanode werksseitig aktiviert (EIN). Bei Nachrüstung muss die Aktivierung nach Montage manuell erfolgen.
T max 55°C	SERVICE MENÜ – Nur für Installateure Temperatur "T max". Hier kann die maximale WW-Betriebstemperatur eingestellt werden, "T max" ist gleichzeitig die höchstmögliche Temperatur, die im Menüpunkt "WW Soll" eingestellt werden kann. "T max" Einstellbereich: 5°C bis 62°C. Bitte beachten Sie, dass sich mit steigender Temperatur der Wirkungsgrad verschlechtert = höherer Energieverbrauch.

Kompressor-Schutz: Nach dem Abschalten des Kompressors ist der Neuanlauf für 5 Minuten gesperrt.

LÜFTERSTEUERUNG

Der Lüfter hat 2 Geschwindigkeitsstufen, die in dem Menüpunkt "**GebIBetr**" ausgewählt werden können. Normalerweise wird die Geschwindigkeitsstufe 2 (hoch), die die höchste Leistung garantiert, gewählt. Sollte auf Grund von strömungstechnischen Gegebenheiten die Geschwindigkeitsstufe 1 (niedrig) gewählt werden, hat dies nur einen geringen Einfluss auf den Wirkungsgrad der BWWP.

Bei Luftkanalanschluss muss die Geschwindigkeitsstufe „hoch“ gewählt werden. I

Luftkanalanschluss an KWL: In dem Menüpunkt "**GebIKonf**" kann die Betriebsweise „kontinuierlicher Lüfter-Betrieb“ ausgewählt werden. Bei der Auswahl „AUS“ ist die Lüfter Funktion an den Betrieb der WP gebunden. Bei der Auswahl "**niedrig**" läuft der Lüfter kontinuierlich in Geschwindigkeitsstufe 1 und bei Auswahl von "**hoch**" kontinuierlich in Geschwindigkeitsstufe 2, während die WP im Bereitschaftsmodus ist.

HINWEIS: Die Auslegung der Kombination eines Lüftungssystems und die Anbindung an eine BWWP dürfen nur durch einen Fachplaner, unter dessen Verantwortung und unter Beachtung der Mindestluftmengen, erfolgen.

"**FanPause**" ist eine Funktion zur Optimierung des Betriebs der BWWP in einem Raum mit hoher Luftfeuchtigkeit (Feuchträume), um einen Überlauf von Kondenswasser zu verhindern. Bei Aktivierung der Funktion wird der Lüfter wahlweise 15 oder 30 Sekunden pro ununterbrochene Betriebsstunde angehalten. Die Unterbrechung des Lüfter Betriebs hebt den Unterdruck in der WP auf und ermöglicht so die Entleerung des Kondensat Auffangbehälters. Wird der Lüfter Betrieb aus anderen Gründen, beispielsweise beim Erreichen der Solltemperatur des WW, unterbrochen, beginnt die Zeitmessung für das Auslösen der Lüfter Unterbrechung von vorne. Auch bei Nutzung der "**GebIBetr**" Funktion für die KWL funktioniert die "**FanPause**"-Funktion und unterbricht den Lüfter Betrieb nach einer vollen Betriebsstunde. Wenn "**FanPause**" auf "AUS" gesetzt ist, wird die Funktion deaktiviert.

BEHANDLUNG VON FEHLERMELDUNGEN

FEHLERARTEN

Es gibt 3 Arten von Meldungen. Auf dem Display können gleichzeitig 3 verschiedene Meldungen angezeigt werden. Durch einmaliges Drücken des Einstellknopfes am Bedienfeld wird die Meldung bestätigt und zurückgesetzt.

Die Informations-Meldung hat keinen Einfluss auf die Funktion der BWWP, sie weist allerdings den Benutzer auf ein Problem hin, dass schnellstmöglich abgestellt werden sollte (Meldung 8, 9 und 10).

Bei Kältekreis-Fehlermeldungen wird die WW-Bereitung mit der WP unterbrochen. Falls die elektrische Zusatzheizung aktiviert ist übernimmt diese die WW-Bereitung bis zum Erreichen der WW-Solltemperatur (Fehlermeldung 3, 4, 5 und 6).

Bei Fehlermeldungen des Gesamtsystems WP wird die WW-Bereitung ganz eingestellt. Hierbei handelt es sich wahrscheinlich um einen Sensorfehler (Fehlermeldung 1 und 2).

Die Fehlermeldungen werden für den Benutzer im Display angezeigt. Durch Drücken des Einstellknopfes werden die Fehlermeldungen bestätigt. Ehe die BWWP wieder in den Normalbetrieb übergeht, muss der Fehler beseitigt und bestätigt worden sein. Wird der Fehler nicht beseitigt, bleibt die Fehlermeldung bestehen. Sollten mehrere Fehlermeldungen gleichzeitig auftreten, so werden sie in der zweiten Anzeigzeile nach Priorität geordnet aufgelistet.

Die Pressostat-Fehlermeldungen 5 & 6 werden folgendermaßen behandelt.

Fehlermeldung 5 (Pressostat-Fehlermeldung tritt zum ersten Mal auf): temporäre Abschaltung der WP. Automatischer Wiederanlauf der WP, falls sich der Druck von alleine normalisiert hat. Bei Fehlermeldung 5 blinkt die Anzeige-LED (29) rot. Sowie der Fehler beseitigt ist (oder sich erledigt hat) wechselt die Anzeige-LED automatisch auf die Betriebsanzeige (WP-Betrieb = grün, Standby = orange).

Tritt der gleiche Fehler innerhalb von 6 Stunden nach der ersten Fehlermeldung nochmals auf, wird die Fehlermeldung 6 angezeigt. Abschaltung der WP. Der Wiederanlauf der WP ist nur nach der Beseitigung des Fehlers und der Bestätigung der Fehlermeldung möglich. Bei Fehlermeldung 6 blinkt die Anzeige-LED (29) rot. Sowie der Fehler beseitigt ist, und nach der Bestätigung der Fehlermeldung durch Drücken des Einstellknopfes geht die BWWP dann in den Betriebs- oder Bereitschaftsmodus (= Anzeige-LED dauernd grün oder orange). Informieren Sie Ihren Installateur.

ANZEIGE-LED: FEHLERMELDUNGEN

Die Anzeige-LED (29) der Wärmepumpe blinkt Rot: Fehlermeldung des Kältekreislaufs oder Info-Meldung. Beide Anzeige-LED (29 + 30) blinken: Betriebsfühler defekt, keine WW-Aufheizung möglich.

FEHLERMELDUNGS-ÜBERSICHT

Fehler-Nummer	Anzeige-LED:		Fehlerursache	Auswirkung
	Nr. 29	Nr. 30		
1	X (rot)	X (rot)	Temperaturfühler im oberen Bereich des Speichers kurzgeschlossen	WP und Zusatzheizung abgeschaltet.
2	X (rot)	X (rot)	Temperaturfühler im oberen Bereich des Speichers unterbrochen.	WP und Zusatzheizung abgeschaltet.
3	X (rot)		Temperaturfühler am Verdampfer kurzgeschlossen.	Kompressor wird abgeschaltet.
4	X (rot)		Temperaturfühler am Verdampfer unterbrochen.	Kompressor wird abgeschaltet.
5	X (rot)		Erste Pressostat-Fehlermeldung	Kompressor wird abgeschaltet und läuft nach Fehlerbehebung automatisch wieder. Die Fehlermeldung wird durch Bestätigung gelöscht.
6	X (rot)		Zweite Pressostat-Fehlermeldung	Kompressor wird abgeschaltet und läuft nur nach Fehlerbehebung und Bestätigung, sowie einem Reset der BWWP wieder an.
8	X (rot)		Temperaturfühler „Temp 1“ kurzgeschlossen.	Information
9	X (rot)		Signal-Anode abgenutzt.	Information
10	X (rot))		Die Solltemperatur für die Legionellen-Schutzfunktion wird nicht erreicht.	Information

Anode

KORROSIONSSCHUTZ DURCH OPFERANODE

Der WW-Speicher ist innen durch Emaillierung wirkungsvoll gegen Korrosion geschützt. Naturgemäß ist die emaillierte Oberfläche leicht porös. Um Ihren WW-Speicher perfekt gegen Korrosion zu schützen stellen wir jeden Speicher mit einer Anode in der Mitte des Speichers aus. Die Opferanode nützt sich ab. Sie sollten daher einmal jährlich den Zustand der Anode kontrollieren ggfs. austauschen lassen. Bei Modellen mit Signalanode wird eine Fehlermeldung ausgegeben, die auf den notwendigen Austausch der Anode hinweist. Dies allerdings nur als Information, die WW-Bereitung ist hierdurch nicht betroffen.

SIGNAL-ANODE

Geräte, die werkseitig mit einer Signalanode ausgestattet sind zeigen im Menüpunkt ANODE den Wert "EIN" an. Die Fehlermeldung 9 erscheint auf dem Display sobald die Anode verbraucht ist und ausgetauscht werden muss. Wird der Wert "AUS" im Menüpunkt ANODE gewählt, ist die automatische Kontrollfunktion deaktiviert, siehe Seite 42 "Wartung der Anode".

Die Geräte mit Signalanode (ab Software Release 1.31) verfügen über die Funktionalitäten PV, BOOST und FERIEN. Bei allen Geräten ab diesem Software Release kann die Signalanode problemlos nachgerüstet werden. In diesem Fall muss der Menüpunkt „ANODE“ manuell auf „EIN“ konfiguriert werden. Bei älteren Modellen ist es ebenfalls möglich, die Signalanode nachzurüsten, allerdings muss ein Software update und ggf. eine kleine Anpassung der Verdrahtung erfolgen. Auf Seite 33 finden Sie den Verdrahtungsplan für die Signalanode.

ABTAU-FUNKTION

BESCHREIBUNG DER ABTAUFUNKTION

“**Abtau.gas**” – Abtauung mit Heißgas. Nur für die Modelle VT3130 / VT3131 / VT3132

Fällt die Temperatur am Verdampfer unter -2°C wird ein Heißgas Abtauzyklus eingeleitet. Das Bypass Ventil wird bei laufendem Kompressor geöffnet und der Lüfter abgeschaltet.

Erreicht die Verdampfer Temperatur $+5^{\circ}\text{C}$ schließt sich das Magnetventil und der Lüfter wird wieder zugeschaltet. Wird die Verdampfer Temperatur von $+5^{\circ}\text{C}$ nicht innerhalb von 20 Minuten erreicht, wird der Abtauzyklus abgebrochen und auf Normalbetrieb geschaltet. Fällt die Verdampfer Temperatur auf -18°C oder tiefer wird die WP abgeschaltet. Die Zusatzheizungen "WP+EL" oder "WP+KES" übernehmen die WW-Bereitung, wenn die WW-Temperatur unter "T-min" fällt.

Zwischen 2 Abtauzyklen liegen mindestens 2 Stunden. Dies bedeutet, dass innerhalb von 2 Stunden nach dem Beginn eines Abtauzyklus kein weiterer Abtauzyklus eingeleitet wird, selbst wenn die Verdampfer Temperatur unter -2°C fallen sollte.

SICHERHEIT

SICHERHEITS-VENTIL, RÜCKFLUSS-VERHINDERE, KONDESATABLAUF – INSTALLATIONSHINWEISE

Die BWWP muss über einen Rückfluss-verhindere und ein Sicherheitsventil (neu) an die Kaltwasserleitung angeschlossen werden. Dies verhindert unzulässig hohen Druck im WW-Speicher, was zu Leckagen führen könnte. Der Überlauf des Sicherheitsventils muss an einen Bodenablauf angeschlossen werden. Der Rückfluss-Verhindere in der Sicherheits-Armatur verhindert das Zurückströmen von WW zur Kaltwasser-Installation. Abhängig von der Luftfeuchtigkeit bildet sich am Verdampfer eine entsprechende Menge an Kondensat. Montieren Sie einen Ablaufschlauch. Bezüglich der Abmessungen des Ablaufschlauchs, siehe Seite 28 „Konstruktionsschema“ und „Aufbau...“

SICHERHEITS-VENTIL, RÜCKFLUSS-VERHINDERER, KONDESATABLAUF – BENUTZERHINWEISE

Ihr Installateur hat vor dem WW-Speicher eine neue Sicherheitsarmatur angebracht. Diese Armatur schützt den WW-Speicher vor Überdruck, der sich bei der Aufheizung durch die Ausdehnung des Wassers aufbaut. Der Rückfluss-Verhinderer wird am Kaltwasser-Anschluss (vom Wasserversorger) angebracht und verhindert, dass WW wegen des Überdrucks in die Kaltwasserleitung zurückfließt. Wenn der Druck im WW-Speicher den eingestellten Wert überschreitet, öffnet das Sicherheitsventil und baut den Druck durch Ablassen von Wasser ab. Es ist völlig normal, dass Wasser aus dem Sicherheitsventil austritt. Es zeigt, dass das Sicherheitsventil funktioniert.

HINWEIS: Der Benutzer ist für das Funktionieren des Sicherheitsventils verantwortlich und sollte es daher 3 -4 mal jährlich auf ordnungsgemäße Funktion überprüfen: Beim Betätigen des Sicherheitsventils können Sie das ausströmende Wasser sehen und hören und sich dadurch über das Funktionieren der Armatur vergewissern. Bitte sorgen Sie gleichzeitig für die Überprüfung und ggfs. Reinigung des Kondensat Ablaufs. Schäden an der Anlage, die durch ein blockiertes Sicherheitsventil oder einen unzureichenden Kondensat Ablauf entstanden sind, werden nicht durch die Garantie abgedeckt.

LEGIONELLEN-SCHUTZFUNKTION

Diese Funktion muss im Hauptmenü aktiviert werden. Wenn die Legionellen-Schutzfunktion freigeschaltet wird, beginnt der Aufheiz-Zyklus unmittelbar. 7 Tage (168 Stunden) +2% nach der Aktivierung startet ein neuer Schutzzyklus (falls nicht zwischenzeitlich deaktiviert). Bei Spannungsunterbrechung wird die Funktion automatisch deaktiviert. Bei der Deaktivierung der Funktion wird der Schutzzyklus sofort abgebrochen.

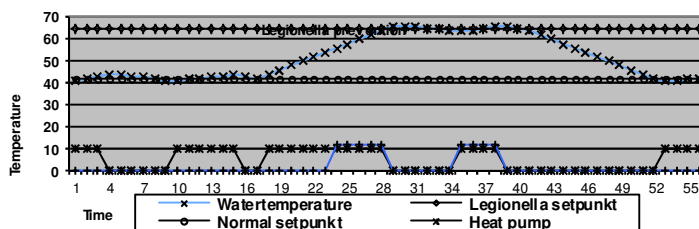
Der Legionellen Schutzzyklus sorgt für eine thermische Desinfektion der Anlage und der Installation. Das WW wird mit WP und Zusatzheizung bis auf 62°C aufgeheizt. Danach wird allein mit der Zusatzheizung die WW-Temperatur auf 65°C erhöht. Diese Temperatur wird für eine Stunde gehalten. Danach arbeitet die BWWP wieder im Normalbetrieb. Die Dauer des Legionellen-Schutzzyklus ist auf 12 Stunden begrenzt. Wird die Solltemperatur der Funktion nicht erreicht*, wird eine Fehlermeldung angezeigt. Die Fehlermeldung wird nach dem nächsten erfolgreichen Zyklus, oder nach Bestätigung der Meldung durch den Benutzer, gelöscht.

* Wenn die Zuluft Temperatur zu niedrig und/oder die WW-Entnahme zu hoch ist, könnte die Leistung der Wärmepumpe zu gering sein, um in der vorgegebenen Zeit die Solltemperatur zu erreichen.

VERBRÜHUNGSSCHUTZ

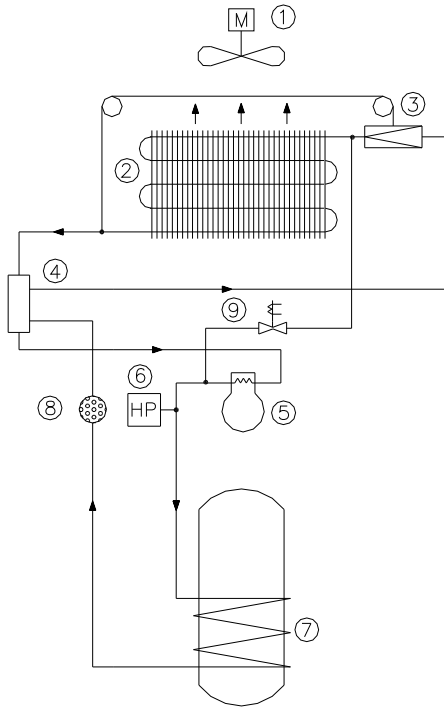
Bei Normalbetrieb mit der WP besteht keine Verbrühungsgefahr durch WW.

Dies gilt auch für die elektrische Zusatzheizung (Wasser können bis zu 90°C). Bei einem Defekt des Thermostats der elektrischen Zusatzheizung könnte es jedoch vorkommen, dass der Heizstab das WW bis auf 95°C - 98°C aufheizt, bis die Thermostatsicherung den Heizstab abschaltet. Um eine Verbrühungsgefahr zu vermeiden, können Sie ein thermostatisch geregeltes Mischventil installieren, welches die WW-Temperatur für die gesamte WW-Installation zentral begrenzt. Mit einem solchen Mischventil sollte die WW-Temperatur normalerweise 65°C nicht übersteigen.



KÄLTEKREISLAUF

FUNKTION DES KÄLTEKREISLAUFS

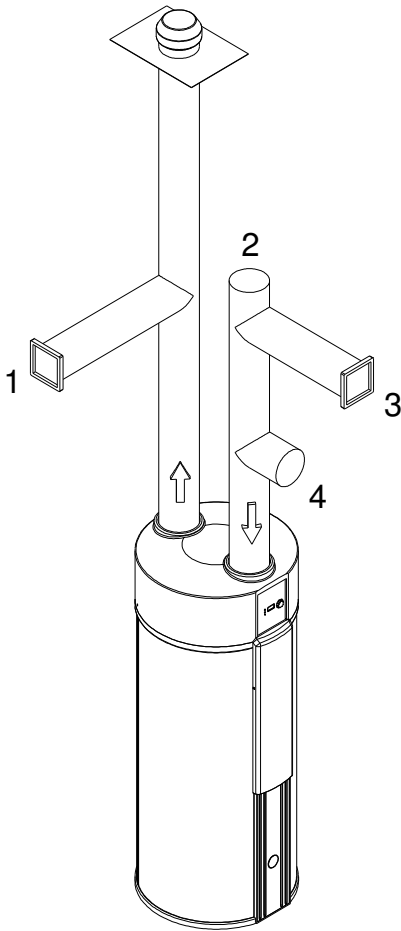


- 1: Ventilator – Fan – Ventilator.
- 2: Verdampfer – Evaporator – Fordamper.
- 3: Thermoventil – Expansion valve – Ekspansionsventil.
- 4: Wärmetauscher – Heat exchanger – Varmeveksler.
- 5: Kompressor – Compressor – Kompressor.
- 6: Hochdruckpressostat – Highpressure switch – Højtrykspresostat.
- 7: Verflüssiger – Condenser – Kondensator.
- 8: Trockenfilter – Dry filter – Tørfilter.
- 9: Magnetventil – Solenoid valve – Magnetventil.

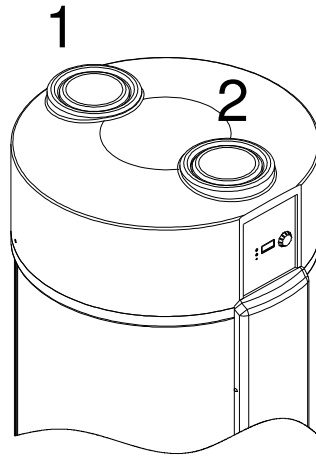
Das gasförmige Kältemittel wird im Kompressor (5) von 6 bar auf 18 bar verdichtet, um dann über den Kondensator (7), der aus D-Rohr besteht und außen um den WW-Speicher gewickelt ist, Wärmeenergie an den WW-Speicher (dieser ist kälter als das "Kältemittel") abzugeben. Das Kältemittel wird nun entspannt, verflüssigt und über den Trockenfilter (8, dieser filtert, falls vorhanden, Verunreinigungen aus den Kältemittel) und über den Wärmetauscher (4) dem Verdampfer (2) zugeführt, wo das Kältemittel neue Energie aus der Umluft entnehmen kann. Der Zweck des Entspannungsventils (3) ist, die Flüssigkeitszufuhr zum Verdampfer (2) zu regeln. Ein Hochdruck-Durchwacher (6, Pressostat) sichert den Kältekreislauf gegen Überdruck.

LUFTKANAL-ANSCHLUSS

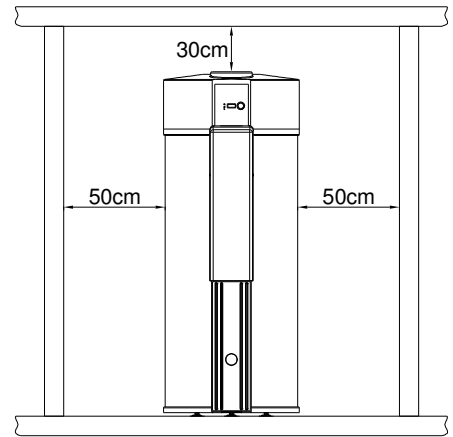
INSTALLATION DER LUFTKANÄLE



954012



954012



954012

- 1: Luft-Auslass
- 2: Luft-Einlass
- 3: Außenluft
- 4: Innenluft

Beim Betrieb ohne Luftkanalanschluss muss das Raumvolumen mindestens 20m^3 betragen.

Die Zuluft kann im Aufstellungsraum (raumluftabhängig) oder aus Kellern, aus Nebenräumen oder von außen (raumluftunabhängig) angesaugt werden. Die Zu- und Abluft-Anschlüsse können an Luftkanäle angeschlossen werden, wobei der Zuluft-Anschluss immer von oben erfolgt, während der Abluft-Anschluss wahlweise nach oben oder seitlich (rechts) erfolgen kann. Luftkanäle müssen wärmeisoliert werden, um Feuchtigkeit durch Kondensation zu vermeiden. Der Anschluss ist für Rohre mit $\varnothing 160\text{mm}$ ausgelegt. Um eine ausreichende Luftversorgung sicherzustellen, beachten Sie bitte die folgenden Regeln: Die Gesamtlänge der Luftkanäle (Zu- und Abluft) sollte bei einem Durchmesser von 160mm 7m nicht überschreiten. Der Mindest-Luftdurchsatz liegt bei $200\text{ m}^3/\text{h}$. Die Anzahl der Rohrbogen sollte auf 2 beschränkt werden. Bitte beachten Sie den zulässigen Temperaturbereich der BWWP bei dem Ansaugen von Außenluft.

EXTERNE STEUERUNG DER WW-BEREITUNG

PV-FUNKTION (PHOTOVOLTAIK SOLARANLAGE)

Sie haben zusammen mit Ihrer Photovoltaik Anlage die Möglichkeit eigenerzeugten Strom quasi umsonst, oder zumindest preiswert, für den Betrieb Ihrer BWWP und zur Energiespeicherung zu nutzen. Im PV-Betriebsmodus wird die Solltemperatur angehoben. Die Höhe der Solltemperatur ist für die Betriebsarten frei wählbar und bestimmt das Speicherpotenzial. Um die WW-Bereitung mit Eigenstrom zu ermöglichen, muss der potentialfreie Kontakt des PV-Wechselrichters mit den Klemmen der Benutzer-Anschlussleiste verbunden werden. Über den Menüpunkt **“PV,ertra”** mit den möglichen Werten **“Nur WP”**, **“Nur EL”**, **“WP + EL”**, oder **“Aus”** wird die gewünschte Betriebsart ausgewählt. Siehe Kapitel „Menüansichten - Hauptmenü“ Seite 34.-

Achtung: Die Verdrahtung legt fest, welche Betriebsarten möglich sind.

VERDRAHTUNG EINER PV-ANLAGE

- ❖ Der potentialfreie Kontakt des Wechselrichters muss mit der Regelung der BWWP verbunden sein. Die Auswahl der Anschlussklemmen bestimmt die Betriebsart der BWWP, wenn der Wechselrichterkontakt geschlossen ist. Der Schwellwert des PV-Kontakts kann am Wechselrichter eingestellt werden. Bitte wählen Sie eine Leistung, die den problemlosen Betrieb in der gewählten Betriebsart ermöglicht (Beachten Sie die Vorschriften des Wechselrichter Herstellers). Siehe **“Verdrahtungsplan, Seite 33”**.
- ❖ **PV-Anlage mit 1 Wechselrichter, alle Betriebsarten:** Anschluss an die Klemmen 5-6 (der Klemmleiste CN6) oder 3-4 (der Klemmleiste CN5), Brücke 5-3 und Brücke 6-4 nötig
- ❖ **PV-Anlage mit 2 Wechselrichtern:**
Verbinden Sie die Wechselrichter mit den Anschlüssen T3 (Klemmen 3 und 4 der Klemmleiste CN6) und T4. (Klemmen 5 und 6 der Klemmleiste CN5)

Wenn Sie die Funktion PV.ertra aktiviert haben und der Wechselrichterkontakt geschlossen ist, betreiben Sie Ihre BWWP mit Eigenstrom. Das Display zeigt nun die aktuelle, durch die im Menü vorbestimmte Betriebsart an (**“Nur WP”**, **“Nur EL”**, **“WP + EL”**). Die Solltemperatur entspricht den, zu den Betriebsarten PV-WP und PV-EL gehörigen, separat einstellbaren Parametern. Wird der Wechselrichterkontakt wieder „offen“, wechseln Betriebsart und Anzeige in den Normalbetriebsmodus.

Die Sollwert-Temperatur für WP-Betrieb wird über den Menüpunkt **“PV-WP”** in einem Temperaturbereich von 5°C bis T max eingestellt. Die Werkseinstellung ist 52°C.

Die Sollwert-Temperatur für den Betrieb mit Zusatzheizung wird über den Menüpunkt **“PV-EL”** in einem Temperaturbereich von 5°C bis Tmax eingestellt. Die Werkseinstellung ist 53°C.

Die WP arbeitet mit einer Hysterese von +1°C / -3°C bezogen auf den Sollwert. Die elektrische Zusatzheizung arbeitet mit einer Hysterese von ±1°C.

Bitte achten Sie bei der Anbindung des Wechselrichters darauf, dass dieser, wegen der geringen Stromstärke, mit „vergoldeten Kontakten“ ausgestattet ist.

FERIEN-FUNKTION

Mit der Ferien-Funktion reduzieren Sie den Energieverbrauch während Ihrer Abwesenheit (z.B. in den Ferien). Ist diese Funktion aktiviert wird die WW-Bereitung unterbrochen und die WW-Temperatur kann bis **“T2 min”** absinken (Seite 34). Hierdurch wird das System vor Frostschäden bewahrt. Die Werkseinstellung für T2min ist 10°C. Sinkt die Temperatur auf **“T2 min”** -1°C wird die Zusatzheizung eingeschaltet. Sinkt die Temperatur weiter bis auf **“T2 min”** -3°C wird die WP ebenfalls zugeschaltet. Erreicht die Temperatur wieder **“T2 min”** +1°C wird die WW-Bereitung beendet.

Die Abwesenheitsfunktion hat die Möglichkeit 5 verschiedene Zeiträume zu wählen:

- 1 Woche
- 2 Wochen
- 3 Wochen
- 3 Tages, für ein langes Wochenende
- Individuelle Tageseinstellung (1 – 99)*

*Bei der individuellen Einstellung ist eine Abweichung von +-3% möglich.

- 21 Tage = +- 0.6 Tage
- 50 Tage = +- 1.5 Tage
- 99 Tage = +- 3.0 Tage

BOOST-FUNKTION

Wird aktiviert um einen kurzzeitig erhöhten WW-Bedarf zu decken. Die BOOST-Funktion arbeitet (schneller als im Normalbetrieb) mit Maximalleistung "WP+EL" bis "T max" erreicht wird, höchstens jedoch 1 Stunde. Zur Aktivierung der BOOST-Funktion wählen Sie den Menüpunkt "Boost" und den Wert "EIN". Sollten Sie mehr WW benötigen, muss die BOOST-Funktion nochmals aktiviert werden.

ZEITGESTEUERTE WW-PRODUKTION (DURCH EXTERNE STEUERUNG)

Diese Funktion erlaubt es Ihnen, die WW-Bereitung durch einen externen Schalter oder eine Zeitschaltuhr zu steuern. Sie können beispielsweise die WW-Bereitung nachts, während Sie schlafen, unterbrechen und morgens wieder einschalten. Dies kann über eine externe Zeitschaltuhr gesteuert werden. Bei geschlossenem Kontakt wird die WW-Bereitung gesperrt, bei offenem Kontakt freigeschaltet.

Wichtig! Schließen Sie den externen Schaltkontakt an die Klemmen 5 und 6 der Klemmleiste CN5. Benutzen Sie diese Funktion, anstatt die Netzspannung über einen Zeitschalter zu unterbrechen. "Siehe Seite 33, Verdrahtungsplan".

Bitte beachten Sie, dass der externe Schalter wegen der geringen Ströme „vergoldete potentialfreie Kontakte“ haben muss. Wird der potentialfreie Kontakt geöffnet, wird die WW-Bereitung freigeschaltet. Wird der Kontakt geschlossen, wird die WW-Bereitung unterbrochen (Frostschutzfunktion bleibt aktiv).

Bei dieser Funktion wird das System vor Frostschäden geschützt. Sinkt die Temperatur auf "T2 min" -1°C wird die Zusatzheizung eingeschaltet. Sinkt die Temperatur weiter bis auf "T2 min" -3°C wird die WP ebenfalls zugeschaltet. Erreicht die Temperatur wieder "T2 min" +1°C wird die WW-Bereitung beendet.

MEHRTARIFZÄHLER STEUERUNG

Sie können die externe Steuerungsfunktion auch zur Nutzung günstiger Stromtarife gebrauchen, indem Sie als externe Steuerung den potentialfreien Kontakt des Mehrtarifzählers anbinden.

WARTUNG UND PFLEGE

Ihre BWWP arbeitet automatisch und wartungsarm. Nichtsdestotrotz ist eine gewisse Kontrolle, Pflege und Wartung notwendig, um den Wert Ihrer BWWP zu erhalten und zu schützen. Wir empfehlen einen entsprechenden Wartungsvertrag abzuschließen, oder aber die Wartung in einen bereits bestehenden Vertrag zu integrieren.

PFLEGE DURCH DEN BENUTZER

Die DHW HP benötigt keine spezielle Wartung durch den Benutzer. Dennoch sollte der Benutzer die folgenden Punkte, die seiner Verantwortung obliegen, regelmäßig beachten:

- Überprüfung der Sicherheitsarmatur auf einwandfreier Funktion
- Kontrolle der Displayanzeige auf Störmeldungen
- Sichtkontrolle der Anlage auf Undichtigkeiten
- Säubern von Luft Ein- und Auslassöffnungen
- Kontrolle und Säubern des Kondensat Ablaufs
- Information des Fachhandwerkers – falls nötig,

Wartung durch einen Installateur

- **Allgemeine Zustandskontrolle:** Überprüfung der BBW und Installation auf reibungslosen Betrieb, Dichtigkeit, Betriebsdruck. Funktion der Sicherheitsarmatur.
- **Anodenwartung:** Die Magnesium Anode nützt sich bei ordnungsgemäßer Funktion ab. Die Überprüfung des Anodenzustands erfolgt entweder kontinuierlich automatisch (Signalanode), oder mindestens 1 mal jährlich manuell. Das Inspektionsintervall hängt vor allem von der örtlichen Wasserzusammensetzung ab und kann bei extremen Wasserqualitäten deutlich kürzer sein. Ihr Fachhandwerker kennt sich mit den örtlichen Gegebenheiten bestens aus und kann Sie sicher bei der Wahl des Serviceintervalls beraten. Für die Wartung muss die Anode ausgebaut werden. Die Anode befindet sich hinter dieser vorderen Abdeckung. Um die Anode zu kontrollieren muss die Abdeckung entfernt werden. Vor der Kontrolle muss der WW-Speicher entleert werden, Ist der Durchmesser der Anode kleiner als 10mm muss die Anode ausgetauscht werden. Liegt der Durchmesser der Anode unter 6 mm ist der kathodische Schutz nicht mehr wirksam (Garantieausschluss).
- **Verdampfer-Wartung:** Kontrollieren Sie den Verdampfer ein- bis zweimal pro Jahr und entfernen Sie, falls nötig, Staub- und Schmutzrückstände. Entfernen Sie die Luft Abdeckgitter/Luftkanal-Anschlüsse, um den Verdampfer zu kontrollieren. Staubteichen können den Luft Kreislauf behindern und reduzieren dadurch die Leistung der WP erheblich. Säubern Sie den

Verdampfer vorsichtig mit Wasser und einer Bürste. Achten Sie darauf, dass die Lamellen des Verdampfers nicht beschädigt werden, und dass Wasser nicht mit stromführenden Teilen in Berührung kommt. Sollte die WP an eine Dunstabzugshaube angeschlossen sein, achten Sie bitte darauf, dass Öl- und Fett-Rückstände (u.a.) in der Zuluft sich nicht am Verdampfer ablagern können und somit das Verstopfungs-Risiko erhöhen. Es sollte unbedingt ein Zuluft Filter, der einfach ausgewechselt oder gereinigt werden kann, eingesetzt werden. Sie könnten beispielsweise einen Kassettenfilter im Zuluft System verwenden.

- Wartung des Kondensat Ablaufs:

Der Ablaufschlauch aus der WP muss entsprechen den gültigen Vorschriften an die Haus Abwasserleitung angeschlossen werden. Der Kondensat-/Abtauwasser-Anschluss der WP muss immer schmutzfrei gehalten werden. Das Reinigungsintervall hängt von den örtlichen Betriebsbedingungen wie z.B. Staub und Temperatur ab.

Eigentümer und Benutzer sind für die Kontrolle und Wartung verantwortlich und müssen die Ablauffunktion jederzeit sicherstellen. Andernfalls ist dies ein Garantiausschluss, da ein verstopfter Ablauf den Auffangbehälter zum Überlaufen bringen kann.

Hinweis: Das auslaufende Wasser kann am Speicher unkontrolliert nach unten laufen und dabei Schäden an der Elektronik oder der Isolierung anrichten. Diese Schäden sind nicht durch die Herstellergarantie abgedeckt.

ANSCHLUSS UND BETRIEB ANDERER HEIZQUELLEN

HEIZKESSEL-ANSCHLUSS

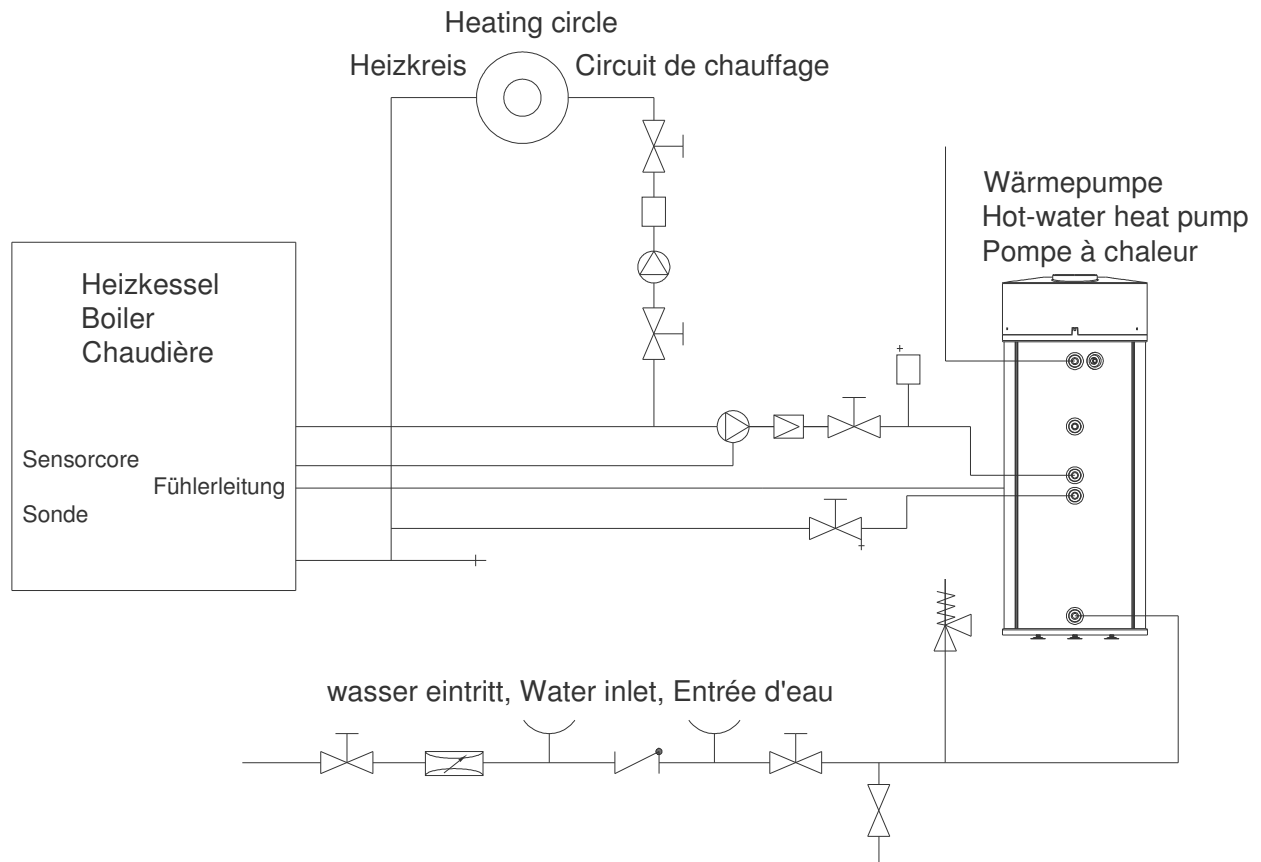
ANSCHLUSSBEISPIEL FÜR HEIZKESSEL/SOLARSTATION

Betriebsart: "WP+KES".

Fällt die WW-Temperatur unter $T_{min} -1^{\circ}\text{C}$ wird die externe Heizung zugeschaltet. Die externe Heizung wird bei $T_{min} +1^{\circ}\text{C}$ wieder abgeschaltet. Bei Einstellung von T_{min} auf 35°C wird 35°C warmes WW sichergestellt, selbst wenn die WP Leistung nicht ausreichen sollte.

Verbindung der Relaisausgänge:

CN2-5 Phase und CN2-6 Null. Externer Heizkessel (230 V AC, 10A).



957084

ELEKTRISCHE ZUSATZHEIZUNG

Sollte die Leistung der WP, beispielsweise bei anhaltend hohem WW-Bedarf oder nach einer Entleerung des Systems, nicht ausreichen um die gewünschte WW-Temperatur schnellstmöglich zu erreichen, kann der obere Teil des WW-Speichers schnell mit der elektrischen Zusatzheizung aufgeheizt werden. Das Heizelement wird über den Menüpunkt "**W.Pump**" und die Werte "**EL**" (nur Heizelement) oder "**WP + EL**" (WP und Heizelement gemeinsam) aktiviert. Mit T_{min} wird die gewünschte Mindest WW-Temperatur eingestellt. Fällt die Temperatur im WW-Speicher unter T_{min} wird das Heizelement automatisch als Unterstützung der WP zugeschaltet, um T_{min} zu erreichen. Das Heizelement hat doppelte Sicherheit durch den Thermostaten zur Temperaturregelung und eine Thermosicherung als Übertemperatursicherung. Die Thermosicherung (Sicherheitsthermostat) schaltet bei 75/85 °C das Heizelement ab. Nach dem Auslösen der Thermosicherung muss diese manuell reaktiviert werden. Diese Reaktivierung darf nur durch einen zugelassenen Installateur erfolgen. Wo das Heizelement eingebaut ist, finden Sie auf Seite 28 (Abbildung der BWWP).

TIPS & TRICKS FÜR DEN ANWENDER

Sie haben eine BWWP in Top-Qualität. Um deren Leistungsfähigkeit voll ausreizen zu können, sollten Sie folgende Hinweise beachten.

Warmwasser Solltemperatur

Die Effizienz Ihrer BWWP hängt von dem Wasserverbrauch, der Wassertemperatur und der Ansaugt Lufttemperatur ab. Wenn dabei das Verbrauchsprofil und die Außentemperatur als feste Größen angenommen werden, so bleibt die WW-Solltemperatur die leistungsbestimmende Größe.

Wenn Sie weiter berücksichtigen, dass der durchschnittliche Wasserverbrauch ca. 125 l pro Person und Tag beträgt, und nur 1/3 davon WW-ist, verbraucht ein 4-köpfiger Haushalt durchschnittlich 160 l WW/Tag oder 240 l/Tag, falls ein hohes Komfortniveau angenommen wird.

Die Effizienz Ihrer BWWP sinkt mit steigender Solltemperatur. Wir empfehlen daher die Solltemperatur bei der Inbetriebnahme auf 45°C festzulegen. Diese WW-Temperatur liegt geringfügig über der Toleranzgrenze beim Duschen und ermöglicht ein heißes Bad. Sollte diese Temperatur für Ihren spezifischen Verbrauch und Komfort nicht ausreichen, so können Sie die Solltemperatur schrittweise bis zur optimalen Komfort Temperatur erhöhen.

Ansaugt Lufttemperatur:

Die Effizienz Ihrer BWWP steigt mit steigender Luft Ansaugtemperatur. Die Wahl der Luftquelle ist daher von entscheidender Bedeutung für die Leistungsfähigkeit und sollte sorgsam ausgewählt werden. Nutzen Sie die Sekundärnutzen wie z.B. die Entfeuchtung des Quelllufttraums und die Abkühlung des Abluftraums.

Die regelmäßige Wartung und Pflege Ihrer Anlage garantieren Ihnen eine außerordentliche Leistung und eine lange Lebensdauer.

NÜTZLICHE INFORMATION

Für Kundendiensttechniker und den Kunden

Für den Benutzer ist es wichtig im Kundendienstfall schnell Informationen zur Erreichbarkeit des Kundendienstes (Name, Anschrift, Telefon) und zur Anlage zur Verfügung zu haben. Wir empfehlen daher, die folgenden Daten hier einzutragen:

Name:

Adresse:

Telefon:

Telefax:

Installations-Datum:

Bauart: BWWP (Monoblock)

Modell: VT31xx (siehe Modellauswahl)

Seriennummer:

LE BALLON THERMODYNAMIQUE (BTD)

GENERALITES

Votre ballon thermodynamique peut disposer de différentes sources d'énergies pour la production d'eau chaude. La pompe à chaleur intégrée (PAC) est la plus importante, car elle couvre le besoin en eau chaude d'une famille pour toute l'année. Le modèle VT3131 est équipé d'un échangeur thermique interne (ETI), ce qui lui permet d'utiliser la chaudière d'un chauffage central comme source d'énergie complémentaire ou de chauffer d'autres petites pièces ou salles de bain sous condition d'excès d'énergie (voir page 19 „Exemples de raccordements“). L'installation et la mise en service de votre ballon thermodynamique doivent être effectuées par un installateur agréé respectant les règles techniques, les normes en vigueur et les règlements locaux concernant les installations électriques et d'eau et le mode d'emploi. Avant la première mise en service ou suite à l'évacuation de la cuve d'eau chaude, vérifiez que l'installation entière soit bien remplie d'eau et contrôlez son étanchéité. Assurez-vous, que le lieu d'installation soit suffisamment aéré. Avec une température d'air aspiré de 15°C, la PAC nécessite environ 8-10 heures pour chauffer le contenu entier de la cuve à une température de 45 – 55°C. Pour commencer, sélectionnez le mode PAC (pompe à chaleur) à l'aide du clavier de navigation, éventuellement en combinaison avec l'appoint électrique.

AVERTISSEMENTS :

Cet appareil ne peut être utilisé par des personnes ou enfants dont les capacités physiques, sensorielles ou mentales sont réduites, ou des personnes dénuées d'expérience ou de connaissance, sauf si elles ont pu bénéficier, par l'intermédiaire d'une personne responsable de leur sécurité, d'une surveillance concernant l'utilisation de l'appareil. Assurez vous que les enfants ne jouent pas avec l'appareil.

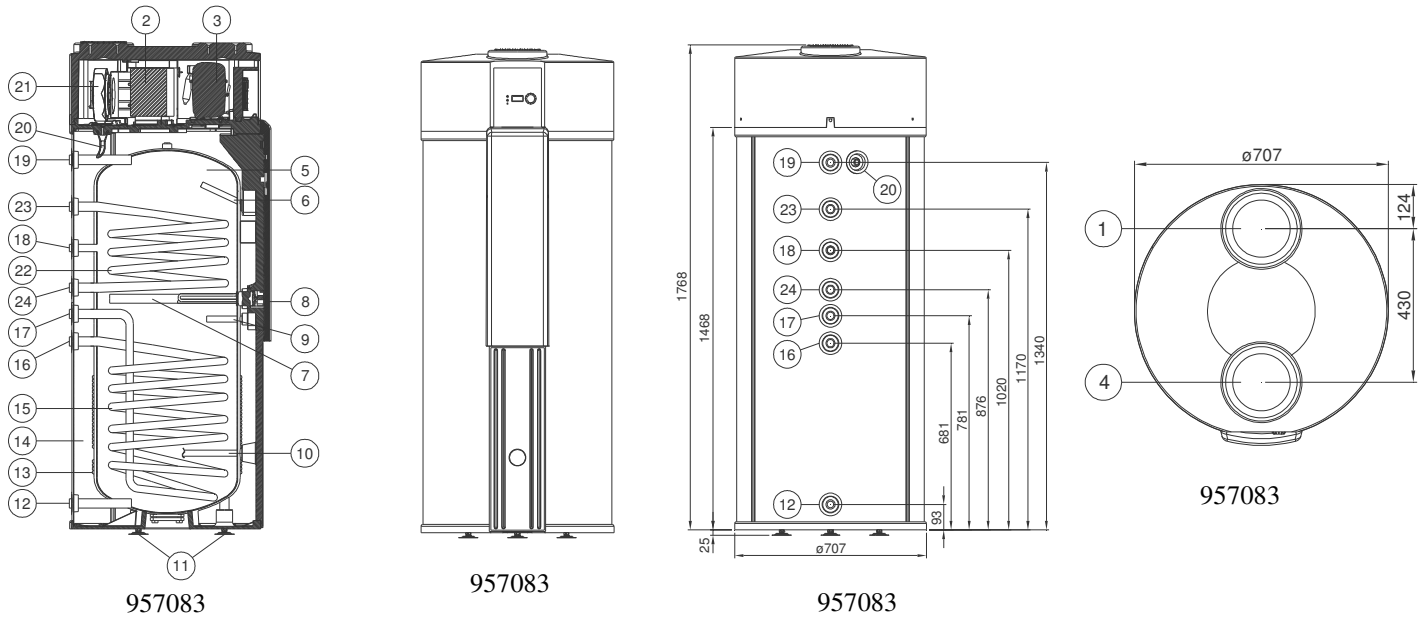
PRINCIPE DE FONCTIONNEMENT DU BALLON THERMODYNAMIQUE (BTD)

La pompe à chaleur (PAC) travaille selon le principe air/eau : L'air traverse à l'aide d'un ventilateur l'évaporateur, lequel prélève l'énergie thermique de l'air pour la ramener au compresseur. Le compresseur augmente le niveau de température du gaz, lequel transporte l'énergie, pour ensuite la transmettre par le condenseur à l'eau chaude stockée dans le ballon thermodynamique.

Avec la PAC air/eau la quantité d'énergie électrique absorbée est moins élevée que la quantité d'énergie thermique produite. La PAC absorbe la différence d'énergie (absorbée/produite) de l'air aspiré.

CARACTERISTIQUES TECHNIQUES

Dimensions:	H: 1768mm, Ø707mm
Poids à vide (net):	145-168-190 kg
Tension/fréquence:	230 V / 50 Hz monophasé, terre
Puissance absorbée par la PAC:	395 Watt*
Puissance fournie par la PAC (thermique):	1421 Watt*
Appoint électrique:	2000 Watt/230 V
Disjoncteur :	> 13 A
Thermostat de l'appoint électrique:	Paramétré sur 65°C, peut être modifié par le clavier
Fluide frigorigène:	Voir plaque signalétique
Débit d'air:	Min/max. 200/300 m3/h
Plage de température d'air aspiré VT3130/VT3131/VT3132	-10 °C jusqu'à max. +35 °C
Cuve: VT3130	Emaillé, 266 l
Cuve: VT3131	Emaillé, 258 l
Cuve: VT3132	Emaillé, 242 l.
Pression de service:	Max.1 MPa / 10 bar
Anode:	Magnésium - 5/4" M
Température ECS:	Réglable - max. 62 °C
Quantité ECS en 24 h:	850 l / 24h
Pertes statique à 15 °C température d'air aspiré et 55 °C température ECS - conformément DIN 8947:	0.7 kWh/24h
Raccords	
- Eau froide:	1" M
-ECS:	1" M
- Evacuation condensat:	1/2" M
- Echangeur thermique ETI):	1" M
- Bouclage sanitaire:	3/4" M
Surface ETI modèle VT3131:	1.00 m ² (5.90 l)
Surface ETI modèle VT3132:	1.5 m ² (9.57 l) ETI inférieur + 0.6 m ² (3.83 l) ETI supérieur
Plage de température de stockage et de transport	-20°C à +60°C
*La norme ASHRAE	



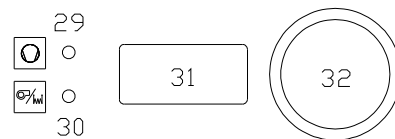
- | | |
|--|--|
| 1. Sortie d'air | 13. Condenseur (Aluminium) |
| 2. Evaporateur | 14. Mousse isolante |
| 3. Compresseur | 15. Echangeur thermique (ETI), inférieur* |
| 4. Entrée d'air | 16. Entrée ETI, inférieur* |
| 5. Cuve, émaillé | 17. Sortie ETI, inférieur * |
| 6. Doigt de gant, sonde auxiliaire | 18. Raccordement bouclage d'ECS |
| 7. Anode | 19. Piquage eau-chaude |
| 8. Appoint électrique | 20. Décharge du condensat |
| 9. Doigt de gant, sonde de température | 21. Ventilateur |
| 10. Anode* | 22. Echangeur thermique (ETI), supérieur** |
| 11. Pattes réglables | 23. Sortie ETI, supérieur** |
| 12. Piquage eau froide | 24. Entrée ETI supérieur** |

*Uniquement pour VT3131 et VT3132

**Uniquement pour VT3132

Clavier de navigation

- 29. LED affichage service/alarme PAC
- 30. LED affichage service/ alarme appoint
- 31. Ecran
- 32. Bouton de navigation



Echangeur thermique interne (ETI)

Le ballon thermodynamique VT3131 est équipé d'un échangeur thermique interne (20) avec une surface chauffante de 1m². Lors du raccordement à 2 sources d'énergie externes, tel qu'à une station solaire et une chaudière, la station solaire doit être raccordée à l'ETI inférieur et la chaudière doit être raccordée à l'ETI supérieur. Vous avez également la possibilité de raccorder les ETI en série à une seule source d'énergie.

ATTENTION: Lors de l'utilisation d'ETI, la température d'alimentation et de stockage doit être pilotée par un thermostat pour assurer le respect des limites de température. La limite de température de l'ECS dans le ballon reste toujours prioritaire. La température du ballon thermodynamique ne peut excéder 65°C, autrement le circuit frigorifique pourrait subir des dommages.

INSTALLATION

LE CHOIX DE L'EMPLACEMENT

Si possible, installez le ballon thermodynamique proche du conduit d'eau chaude pour minimiser les pertes d'énergie. L'emplacement doit être à l'intérieur dans un local protégé contre le gel (température toujours > 1°C) avec un drainage également protégé contre le gel. La surface doit être lisse, horizontal, stable et doit avoir la capacité de supporter le poids du ballon thermodynamique rempli d'eau (environ 430 kg). Des irrégularités mineures peuvent être compensées à l'aide des pattes réglables. Si vous avez l'intention d'utiliser le BTD principalement la nuit pendant les « heures creuses », veillez de ne pas installer votre BTD à la proximité des chambres à coucher. Même si le BTD travaille de façon silencieuse, ceci pourrait quand même déranger des utilisateurs sensibles et être le sujet des plaintes. Le BTD doit de niveau et être facilement accessible pour l'entretien et le service après vente. Tout dommage du BTD, résultant d'une accessibilité réduite (impossibilité de prévention et réparation) ou d'une installation non conforme, fait part de la responsabilité de l'installateur/propriétaire et n'est pas couvert par la garantie du fabricant.

ATTENTION: Veuillez observer également les réglementations et normes de construction en vigueur, ainsi que les règles générales du métier. Si l'échangeur thermique interne et/ou le bouclage d'ECS ne sont pas utilisés, ils doivent être fermés et isolés correctement pour éviter les pertes d'énergie.

Le BTD peut travailler avec de l'air ambiante ou extraite (de l'extérieur ou de l'intérieur). Indépendamment du mode d'installation (gainée ou non gainée) il-y-a certaines règles de base à respecter :

- L'air doit être libre de poussières, de graisses ou des substances agressives
- La source d'air devrait bénéficier de l'énergie gratuite émise par des appareils de ménage (Lave linge, sèche-linge etc.) ou la nature. Des locaux à préconiser sont la buanderie, la chaufferie (local technique), le garage, la cave sous sol etc..
- La température de la source d'air doit être obligatoirement > -10°C
- Le local d'où vient l'air peut profiter de la déshumidification
- La sortie d'air peut être utilisée pour le refroidissement du local (par exemple cave à vin)

Le mode d'installation du BTD et l'installation **non gainée à l'air ambiant**. Ce mode d'installation utilise l'air du local d'emplacement et rejette l'air dans le même local. Les règles suivantes sont à observer :

- Le volume du local doit être > 20m³
- Evitez la recirculation de l'air (court-circuit entre entrée et sortie d'air)
- Le local doit être suffisamment ventilé (débit d'air minimum = 200m³/h)
- Le local ne doit pas être chauffé avec de l'énergie payante.

Dans ce mode d'installation le paramètre pour la vitesse du ventilateur devrait être mis à « rapide ». Néanmoins, si le bruit du ventilateur devrait déranger à cause d'éventuelles résonances, il est parfaitement possible de réduire la vitesse (paramètre « lent ») sans perte considérable de performance.

Une installation gainée ou semi-gainée peut améliorer le rendement du BTD. Le rendement et le débit d'air peut être améliorés de la façon suivante :

- l'installation semi-gainée est utilisée habituellement du côté sortie d'air, afin d'éviter le mélange de l'air aspiré et rejeté.
- l'installation semi-gainée peut être utilisée pour baisser le niveau sonore.

L'installation gainée vous donne la possibilité de placer l'entrée et la sortie d'air indépendamment de l'emplacement du BTD. Nous recommandons l'installation gainée pour un raccordement à l'air extérieur. Dans les cas d'installation gainée ou semi-gainée la vitesse « rapide » doit être sélectionné obligatoirement.

L'air peut également être aspiré d'une VMC. Dans ce cas le débit d'air minimum requise par le BTD doit correspondre au débit d'air de la VMC. Le BTD a la possibilité de faire marcher le ventilateur en marche continu. Une telle installation doit être spécifié par un expert. Le fabricant n'assume aucune responsabilité pour cette spécification.

Voir chapitre « connections aérauliques »

LA PREPARATION DE L'INSTALLATION:

Le ballon thermodynamique est livré avec les réglages d'usine et prêt à l'emploi. Raccordez simplement les entrées et sorties d'eau avec l'installation domestique. L'eau condensée de l'évaporateur doit être évacuée par un tuyau en plastique (13) dans la canalisation (Raccordement par siphon). La canalisation doit être assez inclinée, afin de garantir l'évacuation. Le chapitre « construction et dimensions » montre les dimensions et l'emplacement des raccords.

ATTENTION : Le raccordement électrique doit être effectué obligatoirement après le remplissage d'eau complète du BTD.

REGLES GENERALES D'INSTALLATION

Votre BTD a un réservoir en acier de haute qualité, lequel est protégé à l'intérieur par un revêtement en email. Afin de perfectionner la protection du BTD, ajoute à chaque BTD une protection anticorrosion cathodique (anode en magnésium). Néanmoins, afin de protéger le BTD et surtout les raccords, il est indispensable de respecter les règles générales de l'installation sanitaire, c'est à dire jamais raccorder des métaux à différence de potentiel (par exemple acier et cuivre) directement. Dans ces cas l'utilisation des raccords diélectriques est obligatoire.

INSTALLATION HYDRAULIQUE

ATTENTION : L'installation et la première mise en marche doivent être effectués par un installateur qualifié et agréé selon les recommandations du fabricant (et cette notice), conformément aux règles du métier, aux réglementations, aux normes et aux lois en vigueur. Le respect de ces règles fait part des conditions de garantie du fabricant. Le non respect de ces règles, ainsi que de qualités d'eau anormales mènent à une exclusion de la responsabilité (garantie du fabricant). De toute façon la garantie du fabricant ne comprend jamais l'installation.

RACCORDEMENT EAU FROIDE

Le ballon thermodynamique alimente les différents robinets d'eau avec la pression de service. Conformément aux règles en vigueur, le raccord d'eau froide doit être équipé d'un nouvel organe de sécurité, d'un tuyau de vidange et d'un dispositif anti-retour. Ceux-ci ne sont pas livrés avec votre appareil. On vous conseille d'utiliser des raccords autorisés pour le raccordement du ballon thermodynamique pour éviter la formation de bruitages.

SCHEMA DE RACCORDEMENT DE L'EAU FROIDE

1: Piquage eau froide

2: Vanne d'arrêt 1": doit être ouverte pendant l'utilisation du BTD.

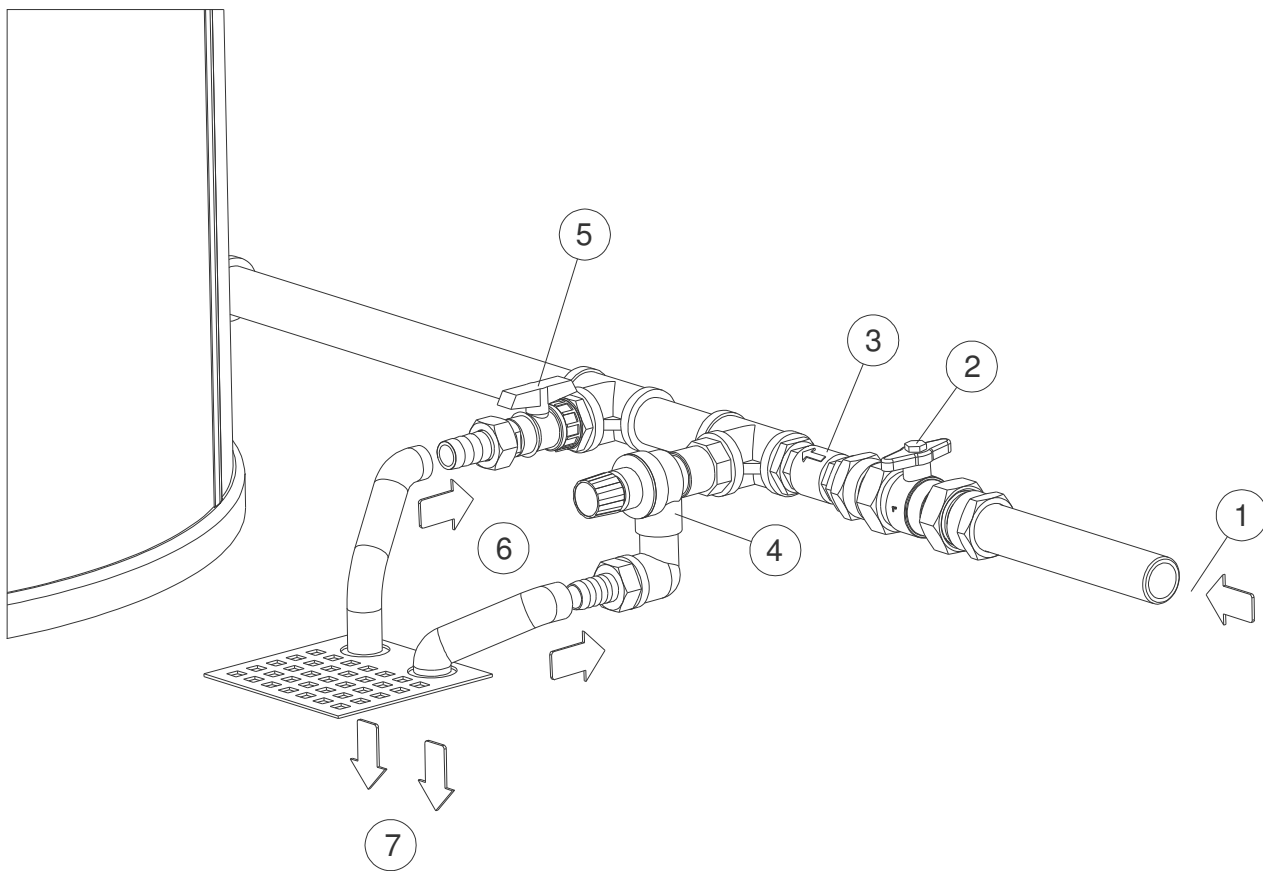
3: clapet anti-retour 1": empêche le retour d'ECS dans l'installation eau froide.

4: Organe de sécurité 1": pression max. 1 MPa / 10 bar. Le tuyau d'évacuation doit être installé en aval, protégé du gèle.

5: Vanne de vidange 1": doit être ouverte pour vidanger.

6: Raccordement tuyaux d'évacuation: sert à l'évacuation de l'organe de sécurité et de la vanne d'évacuation.

7: Drainage: Raccordez les tuyaux de l'évacuation de l'organe de sécurité et de la vanne d'évacuation à la canalisation.



RACCORDEMENT DE L'ECS

Veillez respectes les règlementations pour l'eau potable et sanitaire, ainsi que les règlementations hygiéniques. Concernant le raccordement d'ECS, ils existent plusieurs possibilités. Le ballon thermodynamique peut être utilisé en tant que seule source de production d'ECS, soit dans les nouvelles constructions, soit dans la rénovation. Egalement, il peut être utilisé avec d'autres sources de production d'ECS, lesquelles peuvent être utilisées optionnellement. Le raccord de toutes ces sources doit être sécurisé par un dispositif anti-retour. Pendant le remplissage d'eau, ouvrez le robinet d'eau chaude le plus éloigné (le plus haut), jusqu'à l'écoulement d'eau. Le ballon thermodynamique ne peut être mis en service, que si le ballon est rempli d'eau complètement. Pour la première mise en service ou suite à la vidange du ballon pour des raisons d'entretien, la phase de chauffe pour atteindre une température d'ECS de 45-55°C (avec une température d'air aspiré de 15°C) dure environ 8 à 10 heures.

ISOLATION DES RACCORDS

Pour éviter les pertes d'énergie, les tuyaux doivent être isolés. Prévoyez également une isolation thermique pour le raccord de bouclage d'ECS et de l'échangeur thermique. Si ces raccords ne sont pas utilisés, ils doivent être scellés et isolés.

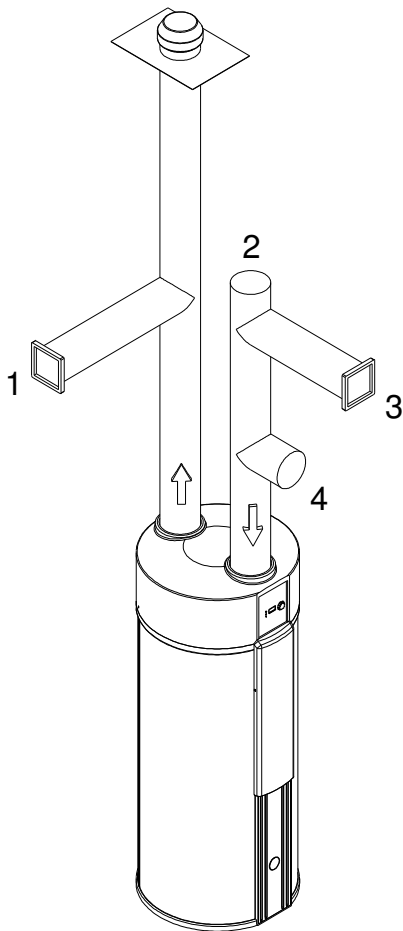
CONSEIL : Une bonne isolation est indispensable pour un rendement optimal. Une mauvaise ou une isolation manquante est souvent la cause des plaintes des utilisateurs..

BOUCLAGE ECS

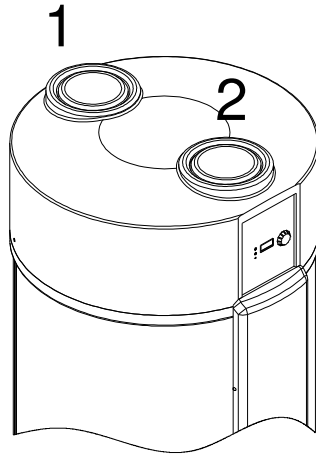
L'utilisation d'un bouclage ECS est vivement déconseillée – sauf si les règles de votre fournisseur d'eau ou votre confort personnel vous y obligent, car cela peut engendrer un véritable gaspillage d'énergie. Les tuyaux de bouclage ECS doivent être dimensionnés et isolés correctement. Veillez à ce que la pompe de recirculation soit peu puissante, mais avec débit variable. Alternativement vous pouvez utiliser un limiteur de débit. L'emplacement des raccords du ballon thermodynamique permet d'éviter les dépôts de tartre dans les raccords. Parce que le bouclage ECS ne doit pas fonctionner en continu, il serait adéquat de faire fonctionner la pompe de recyclage pilotée par une horloge ou la température. Si les règles de construction demandent une recirculation afin de garantir un certain niveau de température, cet effet peut éventuellement être obtenu par des câbles chauffants autorégulateurs.

RACCORDEMENT AERAUQUE

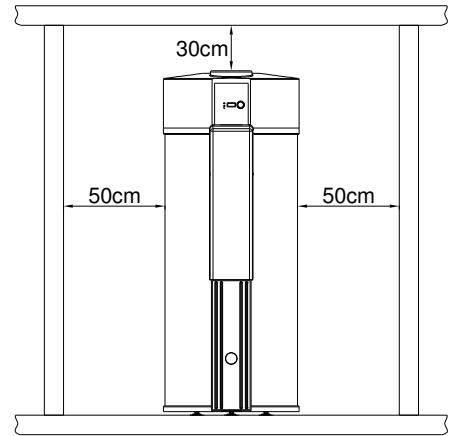
INSTALLATION DES GAINES



954012



954012



954012

- 1: Sortie d'air
- 2: Entrée d'air
- 3: Air extérieure
- 4: Air ambiant

Pour la configuration non-gainé le volume du local doit être $> 20\text{m}^3$

L'air peut être aspiré du lieu d'installation, ou de caves, des pièces voisines ou de l'extérieur. Les raccords d'entrée et de sortie d'air peuvent être raccordés à des gaines. Néanmoins, le raccord d'entrée d'air se fait toujours par le dessus, alors que le raccord de sortie d'air peut être fait soit par le dessus soit par le côté droit du ballon thermodynamique. Le raccord est prévu pour des tuyaux d'un \varnothing de 160mm. L'isolation thermique des gaines est obligatoire, pour éviter l'humidité de condensation. Pour garantir une alimentation d'air suffisante, veillez à respecter certaines préconisations: La longueur dans l'ensemble des gaines (d'entrée et de sortie d'air) ne doivent excédées 7m (pour un \varnothing de 160mm). Le débit à air minimal se situe à $200\text{ m}^3/\text{h}$. Le nombre de coudes doit être limité à 2. Veuillez respecter, la plage de température concernant l'air aspiré.

RACCORDEMENT ELECTRIQUE

Le ballon thermodynamique est équipé d'un câble d'alimentation de 2m ($3 \times 1.5\text{ mm}^2$), lequel sort à l'arrière de l'appareil. Le ballon thermodynamique doit être raccordé à une prise, laquelle est sécurisée par un disjoncteur différentiel.

Puissance absorbée maximale: voir chapitre "Caractéristiques techniques".

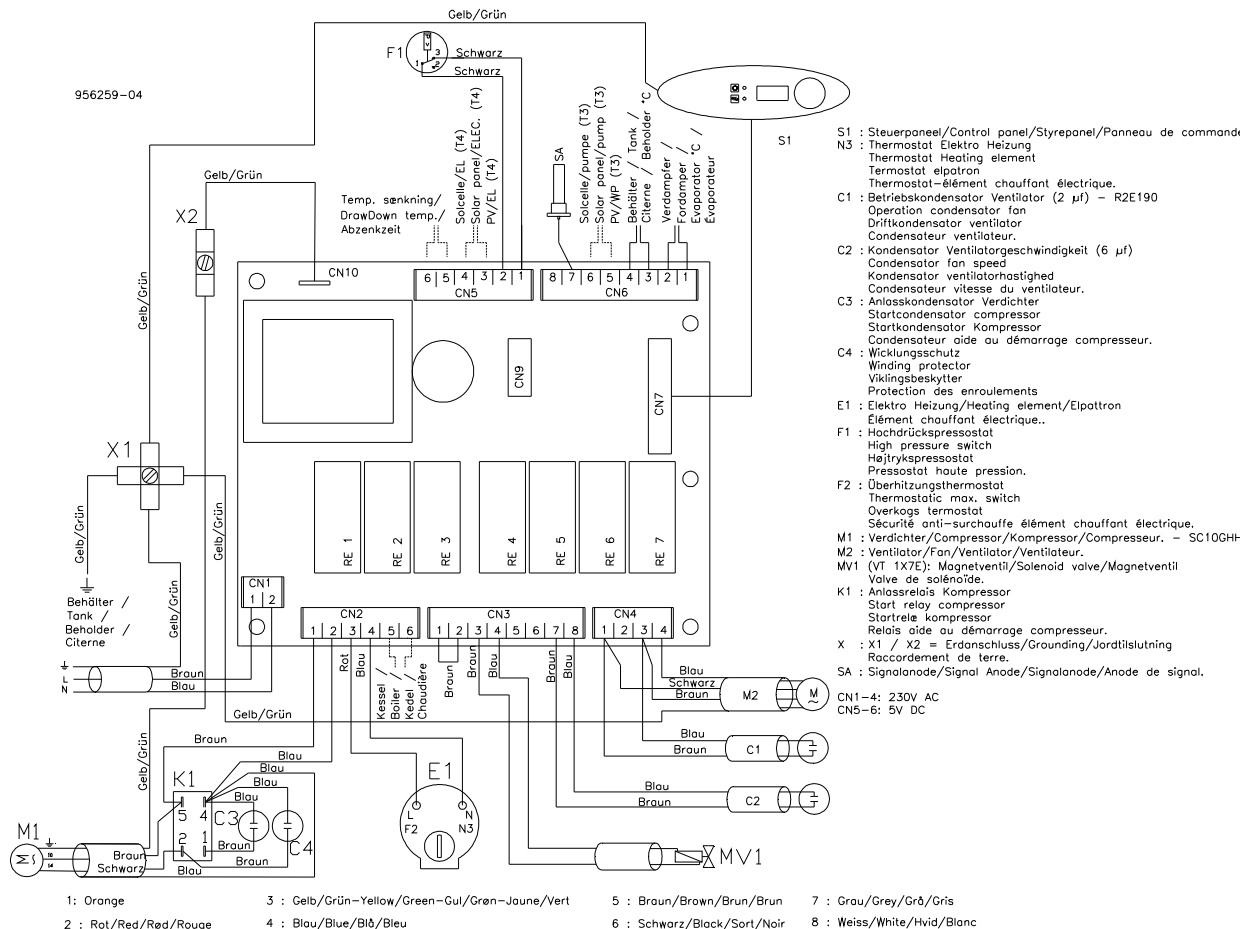
Alimentation : 230V/50Hz monophasé

Raccord d'alimentation: phase – brun, neutre – bleu, terre – jaune/vert.

AVERTISSEMENT: L'appareil doit être installé conformément aux lois, normes et règles techniques et conformément aux règlements nationaux et locaux concernant l'installation électrique.

Si le câble d'alimentation est endommagé, il doit être remplacé par le fabricant, son service après-vente ou des personnes de qualification similaire afin d'éviter un danger ou un accident.

PLAN DE CABLAGE



PRODUCTION DE L' ECS

La production d'eau chaude peut être générée par la PAC, l'appoint électrique et/ou une source d'énergie externe (chaudière, station solaire...). Les sources d'énergie peuvent être sélectionnées dans le menu de paramétrage. Celle-ci peuvent être sélectionnées seules ou en combinaison, cependant la combinaison „appoint électrique et source d'énergie externe ensemble“ est exclu. La température de consigne de l'ECS et la température minimale peuvent être réglées indépendamment l'une de l'autre.

Plage de réglage température: de 5 °C à T max. Habituellement T min est mise à 35°C et la température de consigne de l'ECS entre 45°C et 55°C. La température de consigne est normalement atteinte à l'aide de la PAC. (sélection menu « PAC », « PAC + EL » ou PAC + POEL ») ou par le chauffage supplémentaire (sélection « EL » ou « POEL »). Si la PAC est inactive, l'eau chaude du ballon est chauffée par l'appoint électrique ou les autres sources d'énergie externes (sélection menu « PAC + EL » ou PAC + POEL ») jusqu'à Tmin.

La PAC travaille avec une hystérèse de +1-3K autour de la température de consigne. Toute autre source d'énergie travaille avec une hystérèse de +-1K. Si la température d'évaporateur devient trop basse, la PAC se met hors service. Cette limite de température se situe à -8 °C pour le dégivrage à air et à -18°C pour le dégivrage à gaz chaud. La PAC se remet en service avec une température d'évaporateur de +5 °C. Les affichages LED (29) et (30) indiquent l'état de service du BTD. La LED supérieure (29) affiche le fonctionnement de la PAC, alors que la LED inférieure (30) affiche le fonctionnement des sources auxiliaires.

LED Affichage d'états

- Eteint: Hors service
- Orange: En mode veille
- Vert: En service, échauffement ECS

FONCTION „VACANCES“

Grâce à la fonction VACANCES vous réduisez la consommation d'énergie pendant votre absence. En activant cette fonction la production d'eau chaude est interrompue et la température d'eau chaude peut descendre jusqu'à "**T2 min**". Voir page 58.

Ceci protège le système contre les dommages provoqués par le gèle. Le réglage d'usine pour T2 min est de 10°C. Si la température descend à "**T2 min**" -1°C, l'appoint est mis en marche. Si la température descend à "**T2 min**" -3°C, la PAC sera mise en marche également. Dès que la température a atteint "**T2 min**" +1°C, la production d'eau chaude est arrêté.

La fonction « VACANCES » a la possibilité de choix entre 5 différentes plages de temps:

- 1 semaine
- 2 semaines
- 3 semaines
- 3 jours, pour un long week-end
- Paramétrage individuel des jours d'absence (1 – 99)*

*Il est possible qu'une déviation de 3% se produit avec le paramétrage suivant.

- 21 jours = +/- 0.6 jours
- 50 jours = +/- 1.5 jours
- 99 jours = +/- 3.0 jours

FONCTION „BOOST“

Cette fonction est activée pour couvrir un besoin élevé exceptionnel d'eau chaude. Cette fonction effectue la production d'eau chaude aux réglages maximales, en mettant en marche forcée „PAC+EL“ jusqu'à „**Tmax**“ est atteint, cependant la durée du cycle est de max 1 heure. Pour activer cette fonction sélectionnez dans le menu le paramètre „**Boost**“ et la valeur „ON“. Si vous nécessitez plus d'eau chaude, la fonction BOOST doit être réactivée.

REGULATION ELECTRONIQUE

ECRAN ET CLAVIER DE NAVIGATION

Zone d'affichage (clavier de navigation, voir image du clavier de navigation page 50).

T Eau Dans la **zone d'affichage supérieure** de l'écran s'inscrit le **paramètre**.
45°C Dans la **zone d'affichage inférieure** de l'écran s'inscrit la **valeur ou l'état du paramètre** affiché au dessus.

- L'utilisation se fait instinctivement avec le bouton de navigation (32), voir image clavier de navigation.
- L'écran est activé en tournant ou appuyant sur le bouton de navigation.
- En tournant le bouton de navigation, vous avez la possibilité de choisir parmi 20 paramètres dans le menu principal. En tournant vers la gauche, le premier paramètre est „**eau**“.
- Pour changer le paramètre, appuyez courtement sur le bouton de navigation. La zone d'affichage inférieure commence dès à présent à clignoter. Pendant le clignotement, la valeur du paramètre souhaité peut être modifiée ou sélectionnée en tournant le bouton de navigation. Un appui simple du bouton de navigation sert à confirmer et mémoriser la valeur du paramètre. Si la confirmation n'est pas effectuée, le paramètre précédent est gardé.
- Si l'appui du bouton de navigation dépasse 3 secondes, l'écran change au **menu service**. Dans ce menu sont affichés les paramètres d'usine.

Toutes les modifications de paramètres dans ce menu peuvent être effectuées uniquement avec l'accord de votre installateur.

MENU PRINCIPAL DE PARAMETRAGE – APERÇU DES AFFICHAGES ET REGLAGES

Langue English	A la première mise sous tension de l'appareil, vous pouvez choisir la langue d'affichage. A défaut, le réglage d'usine est ENGLISH. Vous avez le choix entre: Danois, Allemand, Anglais, Espagnol, Français, Polonais, Slovène, Italien . Par la suite, veuillez effectuer tout changement des paramètres des langues par le menu service.
T° eau 45°C	Cet affichage apparaît suite à la mise sous tension de l'appareil. Ceci indique la température d'eau chaude actuelle.
Evap. 5°C	Température de l'évaporateur. Cet affichage indique la température actuelle de l'évaporateur.
Alarme 0 0 0	Affichage d'une dysfonctionnement et d'une panne. Au maximum 3 codes d'alarme peuvent être affichés simultanément. "0" = pas d'alarme. La description des différentes alarmes de 1 à 10, se trouve dans la rubrique alarme dans les pages qui suivent. Ces codes d'alarme sont confirmés et remis à zéro en appuyant sur le bouton de navigation.
Status Off	Mode de fonctionnement actuel du BTB. Différentes annonces peuvent être affichées : "Off" = éteint, "Stand-by", veille "H.Water " = en marche, "Legionel" = cycle de chauffe 65°C actif, "Def.Gas" – "Def.Air" - "Def.Stop"- = Conditions de dégivrage (voir page 14), "alarm".
T° cons. 45°C	Indique la température de consigne de l'ECS. Réglage de la température: En appuyant courtement sur le bouton de navigation, l'affichage de température clignote. Pendant le clignotement, vous pouvez modifier la température de consigne en tournant le bouton de navigation. Pour confirmer la valeur souhaitée, appuyez courtement sur le bouton de navigation, ainsi elle sera enregistrée. La température de consigne habituelle pour l'eau chaude se situe entre "45°C" et "55°C". Remarque! il s'agit d'une température moyenne, et non la température de sortie d'eau chaude.
T min 35°C	Température minimale. Paramétrage de la température: Après un appui rapide sur le bouton de navigation, l'affichage de température clignote. Pendant le clignotement, vous pouvez modifier la température de consigne en tournant le bouton de navigation. Pour confirmer la valeur souhaitée, appuyez courtement sur le bouton de navigation, ainsi elle sera enregistrée. La température minimale habituelle se situe à "35°C". Si la température d'ECS descend en dessous de la température "T min", un système d'échauffement auxiliaire est activé, sous condition que dans le menu „PAC“ les valeurs, "PAC+EL" ou PAC+Poel sont sélectionnées.
T2 min 10°C	Similaire à T min . Ce paramètre est utilisé dans le mode "mode pilotage externe" et "mode vacances" A défaut, le réglage d'usine est de "10°C".
Mode FCT PAC+EL	Ici vous pouvez paramétrer les sources de chaleur. Vos possibilités de choix sont : "Off", "PAC", "EL", "PAC+EL", "Chaud", "PAC+Poël". Dans le cas de non raccordement d'une source d'énergie externe, sont à exclure les 2 derniers choix.
Légionel Off	Activation/désactivation de la fonction anti-légionnelles. En l'activant ("ON") le ballon thermodynamique chauffe l'eau sanitaire une fois par semaine à 65°C, pour éviter la formation des légionnelles.
VMC Off	Mode de fonctionnement du ventilateur. Si vous sélectionnez "Off", le ventilateur est éteint simultanément avec la PAC . Si vous sélectionnez "Lent" ou "Rapid", le ventilateur marche en vitesse 1 ou 2 durant le mode veille (= débit constant) .
Fan+CP Rapid	Vitesse du ventilateur pendant le fonctionnement de la PAC. "Lent" = Vitesse 1 "Rapid" = Vitesse 2
Temp 1 ---°C	Sonde de température auxiliaire. Sert par exemple à mesurer la température d'une chaudière ou une température extérieure. Plage de température de -40°C à 100°C. Seulement disponible en combinaison avec l'anode signal.
Pan Sol Off	Ce paramètre peut activer/désactiver le pilotage du BTB par un onduleur (d'une installation photovoltaïque). "Off" = Le pilotage par l'installation photovoltaïque est désactivé. "PAC uniq", "EL uniq", "PAC + EL" = L'installation PV pilote le BTB dans le mode choisi. Afin de pouvoir utiliser tous les modes, le câblage doit correspondre. Voir "Page 56 plan de câblage.
PV-PAC 52°C	5°C – T max. La plage de température de consigne, dès que de l'énergie de génération propre est disponible. Le paramètre PV-PAC détermine la température ECS, si la production d'ECS est effectuée par la PAC seule.

PV-EL 53°C	5°C – T max . La plage de température de consigne, dès que de l'énergie de génération propre est disponible. Le paramètre PV-EL détermine la température ECS, si la production d'ECS est effectuée par l'appoint.
Vacance Off	"Off", "1 Sem", "2 Sem", "3 Sem", "3 Jours", "Manuel" Activation /désactivation du mode VACANCES et de la température minimale d'eau chaude " T2 min ".
JoursVac 1	1-99 Paramétrage individuel des jours d'absence. La température d'eau chaude peut chuter jusqu'à " T2 min ".
JoursRes 0	0-99 Indique les jours d'absences restants.
Boost Off	"Off", "On" Ce paramètre est activé, pour un besoin élevé exceptionnel en eau chaude. Le mode BOOST produit du ECS à puissance maximale " PAC+EL ", jusqu'à " T max " est atteint, mais au maximum pendant 1 heure.
VenPause 30	"Off", "30m/15s", "30m/30s", "60m/15s", "60m/30s", "90m/15s", "90m/30s" Lorsque la fonction est activée, le ventilateur s'arrête pendant 15 ou 30 secondes par heure de service continu

MENU EXPERT : APERÇU DES AFFICHAGES ET REGLAGES

Pour l'installateur uniquement.

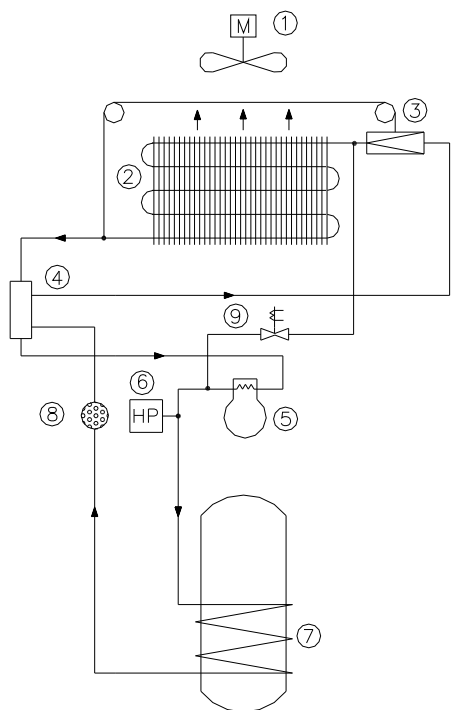
Langue Français	Allemand, Anglais, Danois, Espagnol, Français, Polonais, Slovène, Italien.
Software 1.35	MENU SERVICE – Installateur uniquement. Le paramètre "Software" indique la version de software (par exemple la valeur "1.35" est la version de la software utilisée).
Dég. Gas	MENU SERVICE – Installateur uniquement "Dég." Affiche la méthode de dégivrage (3 possibilités) : "GAS", Pour V3130 / VT3131 / VT3132 ; seul paramètre valable.
Anode Off	"Off", "On" Cette fonction est activée si l'anode à signal est installé d'origine, Elle doit être activée manuellement, si l'anode à signal soit installé ultérieurement.
T max 55°C	MENU SERVICE – Installateur uniquement Température " T max ". Ici peut être réglée la température maximale d'ECS " T max ". Celle-ci est en même temps, la température la plus élevée possible pour le paramètre « T cons ». " T max " plage de réglage: 5°C à 62°C. Veuillez noter, que le rendement diminue avec une température croissante = consommation d'énergie plus élevée.

Protection compresseur: Entre deux démarrages du compresseur il y a un délais minimale de 5 minutes.

LE FONCTIONNEMENT DU BTD EN DETAIL

LE CIRCUIT FRIGORIFIQUE. COMMENT CA MARCHE ?

Le fluide frigorigène gazeux est comprimé dans le compresseur (5) de basse pression (6 bars) à haute pression (18 bars), et envoyé dans le condenseur (7) en tube format D, enroulé autour du ballon ECS, lequel est plus froid que le gaz chauds du fluide frigorigène. Une condensation du gaz chaud se produit et l'eau dans le réservoir est chauffée. Le réfrigérant est liquéfié et passe à travers le filtre sec (8), qui va absorber et retenir l'humidité résiduelle du fluide frigorigène, le cas échéant. Dans l'échangeur de chaleur (4) un transfert de chaleur supplémentaire peut être effectué. Le but de la vanne de détente (3) est de réguler l'alimentation en liquide de l'évaporateur (2). Un détecteur de haute pression (6, Pressostat) protège le circuit frigorifique contre la surpression.



- 1: Ventilator – Fan – Ventilator.
- 2: Verdampfer – Evaporator – Fordamper.
- 3: Thermoventil – Expansion valve – Ekspansionsventil.
- 4: Wärmetauscher – Heat exchanger – Varveveksler.
- 5: Kompressor – Compressor – Kompressor.
- 6: Hochdruckpressostat – Highpressure switch – Højtrykspresostat.
- 7: Verflüssiger – Condenser – Kondensator.
- 8: Trockenfilter – Dry filter – Tørfilter.
- 9: Magnetventil – Solenoid valve – Magnetventil.

REGULATION DU VENTILATEUR

Le ventilateur a 2 vitesses, lesquelles peuvent être sélectionnées dans le menu "**Fan+CP**". Normalement, la vitesse 2 (rapid) est sélectionnée. Si vous choisissez la vitesse 1 (lent) pour des raisons aérodynamiques, il n'y a qu'une influence minimale sur la performance du ballon thermodynamique.

La vitesse 2 doit être choisie lors du raccordement à des gaines. Dans le menu "**VMC**" il est possible de choisir le mode de fonctionnement „ventilateur en marche continu“. Lors du choix „OFF“, la fonction du ventilateur est liée au service de la PAC. Lors du choix "**lent**", le ventilateur fonctionne continuellement en vitesse 1, et lors du choix "**rapid**" il fonctionne continuellement en vitesse 2, même si la PAC est en mode « veille ».

"**FanPause**" est une fonction pour éviter le débordement des eaux de condensation si le BTD est placé dans un local à humidité de l'air élevée. Lorsque la fonction est activée le ventilateur s'arrête, soit pour 15 ou 30 secondes par heure de service continu. À moins que la pompe à chaleur ait atteint la température de consigne et le compresseur et le ventilateur s'arrêtent automatiquement. Après chaque interruption du service du ventilateur le délai pour l'enclenchement de la fonction FanPause démarre à zéro. L'arrêt du ventilateur neutralise la dépression dans la PAC et permet ainsi l'évacuation du condensat. Si "**VMC**" est activée la fonction "**FanPause**" fonctionne toujours.. Si le paramètre de la fonction "**FanPause**" est mis sur "**Off**", la fonction est désactivée.

PROTECTION CONTRE CORROSIONS GRACE A L'ANODE

Le ballon d'eau chaude est protégé efficacement contre la corrosion grâce à l'émail. Mais même l'émail de très haute gamme a des petites imperfections et des petites zones poreuses dans la couche d'émail. Pour protéger correctement votre ballon d'ECS contre la corrosion, on a équipé tous les BTD avec une anode au milieu. L'anode s'use et impose donc le contrôle annuel de l'état de l'anode et si nécessaire son remplacement. Si le diamètre de l'anode est < 10mm, l'anode doit être remplacé. Si le diamètre de l'anode est < 6mm, il n'y a plus de protection cathodique, et le fabricant n'est plus responsable pour des dommages en conséquence. Pour les modèles avec anode à signal, un code d'alarme s'affiche sur l'écran, indiquant la nécessité d'échange d'anode. Ceci juste pour information, la production d'eau chaude n'est pas concerné.

ANODE A SIGNAL

Les appareils équipés d'une anode à signal installé d'origine par l'usine, affichent dans le menu ANODE, la valeur „ON“. Le code d'alarme 9 s'inscrit sur l'écran dès l'usure de l'anode et qu'elle nécessitent d'être échangée. Si vous sélectionnez dans le menu « ANODE » la valeur « OFF », la fonction de surveillance automatique est désactivée. Dans le cas où l'anode à signal est installé ultérieurement, la fonction doit être activée manuellement dans le menu de service "ANODE" avec la valeur "ON" (voir page 50 « le schéma de câblage » et page 52 « paramétrage »). Nota : Depuis la version 1.31 du logiciel la fonction anode à signal permet également l'utilisation des fonctions VACANCES, BOOST et PANNEAUX SOLAIRES.

FONCTIONNEMENT DU DEGIVRAGE

“Dég.gas” – Dégivrage effectué par du gaz chaud. Exclusivement sur les modèles VT3130 / VT3131 / VT3132

Si la température chute à -2°C au niveau de l'évaporateur, un cycle de dégivrage au gaz chaud se met en route. L'électrovanne du by-pass est enclenchée pendant la marche du compresseur. Le ventilateur est mis hors service.

Quand la température de l'évaporateur atteint +5 °C l'électrovanne se referme et le ventilateur est remis en marche. Si la température de l'évaporateur n'atteint pas +5°C après 20 minutes, le cycle de dégivrage sera interrompu et la PAC remise en mode de fonctionnement normal. Si la température de l'évaporateur diminue à -18°C ou moins, la PAC se met hors service. Les appoints électriques "PAC+EL" ou "PAC+Poël" reprennent la fonction de production d'eau chaude, si la température de l'eau chaude a chuté en dessous du seuil “T min”.

Il y a au minimum 2 heures d'intervalle entre 2 cycles de dégivrage. Ce qui signifie, que pendant 2 heures après le démarrage d'un cycle de dégivrage aucun autre cycle de dégivrage sera effectué, même si la température de l'évaporateur devrait chuter en dessous de -2°C.

DEPANNAGE

CODES D'ALARME

Il existent 3 types de codes d'alarme. 3 codes d'alarme peuvent être affichés simultanément sur l'écran. Vous pouvez confirmer et effacer l'alarme en appuyant simplement sur le bouton de navigation du clavier de navigation.

L'alarme d'information n'influence pas le bon fonctionnement du ballon thermodynamique, mais informe l'utilisateur d'un problème, auquel y faut remédier le plus vite possible (code alarme 8,9 et 10).

Alarme circuit frigorifique : La production d'eau chaude n'est plus assurée par la PAC. Si l'appoint électrique est activé, la production d'eau chaude sera assurée par celui-ci, jusqu'à obtention du niveau de la température de consigne d'eau chaude (code alarme 3, 4, 5 et 6).

Alarme système PAC : il n'y a plus de production d'ECS. Dans ce cas il s'agit probablement d'un défaut de sonde (code alarme 1 et 2).

Les codes d'alarme sont affichés sur l'écran pour l'utilisateur. Les codes d'alarme sont confirmés en appuyant sur le bouton de navigation. L'alarme doit être confirmée et corrigée avant que le ballon thermodynamique revienne en mode de fonctionnement normal. Si l'erreur n'est pas corrigée, l'alarme persistera. Dans le cas de plusieurs codes d'alarme simultanément, ils seront affichés par ordre prioritaire dans la zone d'affichage inférieure de l'écran.

Les codes d'alarme « pressostat 5 & 6 » (défaut haute pression) sont traités de la manière qui suit.

Code alarme 5 (Pressostat) s'affiche pour la première fois : PAC hors service. Si la pression se normalise par elle-même, la PAC se remet en marche automatiquement. Lors du code d'alarme 5, l'affichage LED (29) clignote rouge. Dès que le défaut a été corrigé, la PAC se remet automatiquement en mode de fonctionnement et l'affichage change en mode service ou veille (= Affichage -LED est constamment vert ou orange).

Si l'erreur « PEESSOSTAT » réapparaît endéans des 6 heures qui suivent le premier affichage du code alarme, alors s'affiche le code d'alarme 6 et la PAC est mise hors service. La remise en service de la PAC n'est possible qu'après la correction et la confirmation du défaut affiché. Dès le dépannage et la confirmation du code d'alarme, en appuyant sur le bouton de navigation, le ballon thermodynamique se remet en service ou mode veille (= Affichage -LED est constamment vert ou orange).

LED: affichage d'alarme

L'affichage LED (29) de la PAC clignote rouge: alarme du circuit frigorifique ou alarme-info. Les 2 écran-LED (29 + 30) clignotent: Sonde de température défectueuse, pas de chauffe d'eau possible.

APERÇU D'ALARME

Code d'alarme	Affichage: Nr. 29 Nr. 30	Causes	Conséquence
1	X X (rouge) (rouge)	Sonde de température supérieure en court circuit.	PAC et appoint électrique hors service.
2	X X (rouge) (rouge)	Sonde de température coupée.	PAC et appoint électrique hors service.
3	X (rouge)	Sonde de température de l'évaporateur en court circuit.	Compresseur s'éteint.
4	X (rouge)	Sonde de température de l'évaporateur coupée	Compresseur s'éteint.
5	X (rouge)	Première alarme pressostat	Le compresseur s'éteint et se remet en marche après dépannage. L'alarme est effacée par sa confirmation.
6	X (rouge)	Deuxième alarme pressostat	Compresseur s'éteint et se remet en marche uniquement après dépannage et réinitialisation du BTD
8	X (rouge)	Sonde de température „Temp 1“ en court-circuit.	Information
9	X (rouge)	Anode à signal usé.	Information
10	X (rouge)	La température de consigne pour la fonction anti-légionnelles n'est pas atteinte.	Information

SÉCURITÉ

ORGANE DE SECURITE, DISPOSITIF ANTI-RETOUR, EVACUATION DU CONDENSAT- CONSEILS D'INSTALLATION:

Le ballon thermodynamique doit être raccordé au conduit d'eau froide avec un dispositif anti-retour et un organe de sécurité. Ceci permet d'éviter une pression excessive dans la cuve d'eau chaude, laquelle pourrait engendrer des fuites. Le trop-plein de l'organe de sécurité doit être raccordé à un drain. Le dispositif anti-retour empêche le reflux d'eau chaude à l'installation d'eau froide. Dépendant de l'humidité, une quantité relative de condensat se forme au niveau de l'évaporateur. Installez un tuyau d'évacuation. Concernant les dimensions du tuyau d'évacuation, référez-vous à la page 50 „dessin et dimensions du schéma de construction“.

ORGANE DE SECURITE, DISPOSITIF ANTI-RETOUR, EVACUATION DU CONDENSAT - PRECONISATIONS POUR L'USAGER

Votre installateur a monté un organe de sécurité devant le ballon d'eau chaude. Ce dispositif protège la cuve d'eau chaude de surpression, laquelle survient à cause de la dilatation de l'eau pendant le processus d'échauffement. Le dispositif anti-retour est raccordé au piquage d'eau froide (au départ de la distribution générale) afin d'éviter que l'ECS refoule dans l'installation eau froide à cause des différences de pression. Si la pression dans le ballon d'eau chaude dépasse la valeur pré-réglée, l'organe de sécurité s'ouvre et libère la pression en évacuant de l'eau. Il est tout à fait normal, que de l'eau s'échappe au niveau de l'organe de sécurité. Ceci démontre le bon fonctionnement de l'organe de sécurité. L'utilisateur est responsable pour le fonctionnement de l'organe de sécurité et devrait donc vérifier le bon fonctionnement 3-4 fois par an : Lorsque vous

actionnez l'organe de sécurité, vous pouvez voir et entendre l'eau qui coule, ce qui vous assure du fonctionnement de l'organe de sécurité. Les dommages du système, causés par un organe de sécurité bloqué, ne sont pas couverts par la garantie.

DESINFECTION THERMIQUE - PROTECTION ANTI-LEGIONNELLES

Cette fonction doit être activée dans le menu principal.

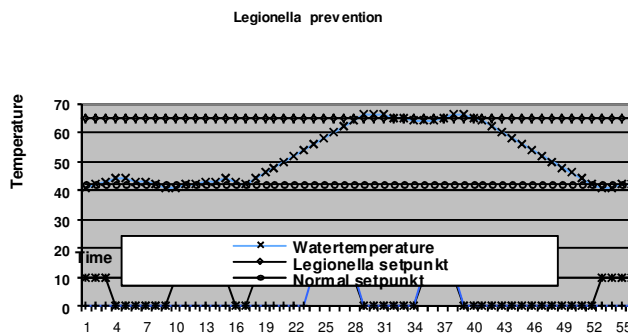
Dès l'activation de la fonction anti-légionnelles, le cycle de chauffe démarre aussitôt. Un nouveau cycle de protection démarre 7 Jours (168 heures) \pm 2% après l'activation (Si pas désactivé entretemps). Si la tension est interrompue cette fonction est désactivée automatiquement. Le cycle de protection anti-légionnelles est interrompu dès la désactivation de la fonction.

L'eau chaude est chauffée à 62°C avec la PAC et l'appoint électrique. Ensuite, l'échauffement de l'eau à 65°C est assuré par l'appoint électrique seul. Cette température est gardée pendant 1 heure. Ensuite, le ballon thermodynamique se remet en mode de fonctionnement normal. Un cycle de protection anti-légionnelles, la fonction est limité à 12 heures. Si la température de consigne de la fonction n'est pas atteinte*, un code alarme sera affiché. L'alarme s'efface suite à un prochain cycle réussi, ou suite à sa confirmation par l'utilisateur.

* Si la température d'air est trop basse et/ou le soutirage d'eau chaude trop élevé, la performance de la pompe à chaleur pourrait être trop faible pour atteindre la température de consigne dans le délai prévu.

PROTECTION ANTI-EBOUILLANEMENT

Avec le mode de fonctionnement normal de la pompe à chaleur il n'existe pas de risque d'ébullition par l'eau chaude. Ceci est aussi valable en ce qui concerne l'appoint électrique (l'eau peut monter à 90°C). Si le thermostat de l'appoint électrique est défectueux, il est possible, que l'appoint chauffe l'eau jusqu'à 95°C-98°C, jusqu'à ce que la sécurité thermique éteint le thermoplongeur. Pour éviter l'ébullition d'eau, vous pouvez installer une vanne mélangeur thermostatique, laquelle limite la température d'eau chaude pour l'installation entière. Avec une vanne mélangeur la température d'eau chaude ne devrait pas excéder 65°C.



PILOTAGE EXTERNE DE LA PRÉPARATION ECS

UTILISATION DE LA FONCTION PV-SOLAIRE (PHOTOVOLTAÏQUE)

Si vous êtes usager d'une installation photovoltaïque, vous avez la possibilité d'utiliser votre propre énergie, quasiment gratuite ou bon marché, pour la production d'ECS et en même temps de stocker cette énergie. Pour permettre le pilotage externe de la production d'ECS par une installation photovoltaïque, le contact sec de l'onduleur doit être branché à la régulation du BTM. Pour activer/désactiver sélectionnez le paramètre "**PanSol**" et comme valeur soit "**PAC uniq**", "**EL_uniq**", "**PAC + EL**" ou "**OFF**". Voir page 59.

Si vous avez choisi le pilotage externe de la production d'ECS par le paramètre "**PanSol**" et le contact de l'onduleur est « fermé » le mode de fonctionnement du BTM change automatiquement à "**PAC+EL**", "**EL uniq**" ou "**PAC uniq**" (dans le menu "PAN sol"), selon la valeur choisie dans le menu.

RACCORDEMENT D'UNE INSTALLATION PHOTOVOLTAÏQUE

- ❖ Le contact sec de l'onduleur doit être raccordé au bornier client de la régulation du BTM. Quand le contact est « fermé » le BTM change en mode PanSol. Le seuil de déclenchement à l'onduleur est ajustable. Choisissez une puissance adéquate (observez les instructions du constructeur). Voir "**plan de câblage, page 56**". Vous avez la possibilité de brancher jusqu'à 2 onduleurs.
- ❖ **Installation avec un onduleur** : Branchez l'onduleur aux bornes 5-6 (T3 = PAC) du bornier client CN6 et mettez un pont onduleur aux bornes 3-4 (T4 = EL) du bornier client CN5.
- ❖ **Installation à deux onduleurs** : Branchez le premier onduleur aux bornes 5-6 (T3 = PAC) du bornier client CN6 et le deuxième onduleur aux bornes 3-4 (T4 = EL) du bornier client CN5.
- ❖

Si vous avez activé le paramètre PAN.SOL et le(s) contact(s) de l'onduleur est fermé, votre BTM est alimenté par l'énergie de votre propre production. L'écran affiche le mode de fonctionnement, déterminé par le paramétrage ("**PAC uniq**", "**EL_uniq**", "**PAC + EL**") et la température de consigne est remplacée par la température des paramètres PV-PAC ou PV.EL. Si le contact est « ouvert » le BTM retourne au fonctionnement normal.

La température de consigne d'ECS pour le mode PV PAC peut être paramétré dans le menu "**PV PAC**" avec une plage de température entre 5°C et T max. Le réglage d'usine est de 52°C.

La température de consigne d'ECS pour le mode EL et PAC+EL peut être paramétré dans le menu "**PV EL**" avec une plage de température entre 5°C et T max. Le réglage d'usine est de 53°C.

La PAC travaille avec une hystérèse de +3K / -1K autour la température de consigne. L'appoint électrique travaille avec une hystérèse de ± 1K.

Les onduleurs doivent disposer des contacts libre de potentiel plaquée or, afin d'éviter l'oxydation à cause des courants de basse intensité.

VERROUILLAGE DE LA PRODUCTION D'ECS (PAR PILOTAGE EXTERNE)

Cette fonction vous permet, de piloter avec un dispositif externe ou une horloge externe la préparation d'ECS. Vous pouvez par exemple interrompre la préparation d'ECS la nuit, pendant votre sommeil, et la rallumer dès votre réveil au matin. Ceci est possible avec le pilotage à travers d'une horloge ou un contact externe.

Raccordez le dispositif externe de pilotage aux bornes 5 et 6 du bornier client CN5. Utilisez cette fonction au lieu d'interrompre l'alimentation par une horloge externe. "Voir **page 56, plan de câblage**".

ATTENTION : Veuillez respecter, que le contact externe doit être libre de potentiel avec des contacts plaqué d'or à cause des courants de très basse intensité. Si le contact externe est ouvert la PAC est déverrouillée. La protection anti-gèle reste active. Si le contact externe est fermé la PAC est verrouillée. La protection anti-gèle reste active. Avec cette fonction le système est protégé contre les dommages causés par le gèle. Si la température descend à "**T2 min**" -1°C l'appoint électrique est mis en marche. Si la température descend plus bas à "**T2 min**" -3°C la pompe à chaleur est également mise en marche. Dès que la température atteint à nouveau le niveau "**T2 min**" +1°C la production d'ECS est terminée.

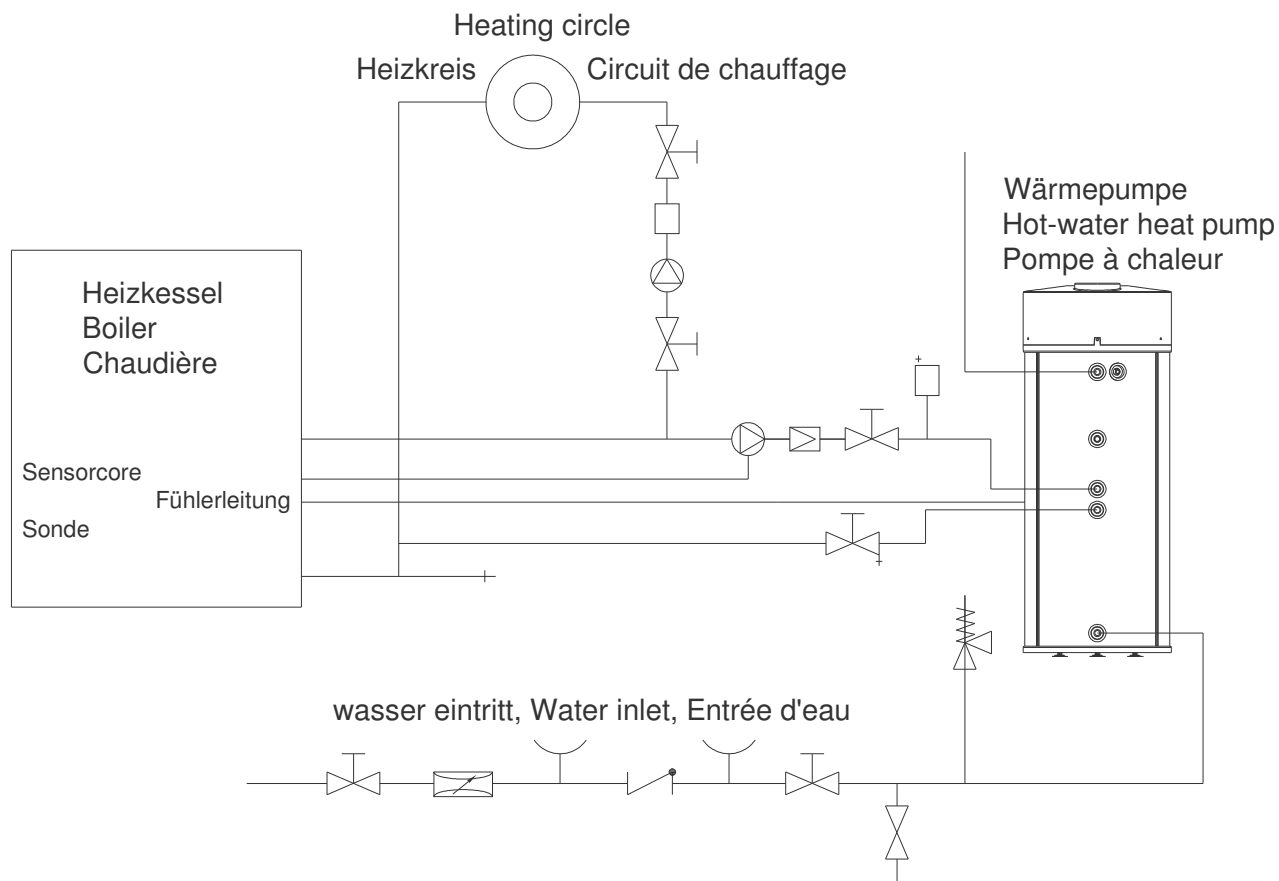
HEURES PLEINES/HEURES CREUSES

Le pilotage externe peut être utilisé pour la fonctions heures pleines / heures creuses (HP/HC), soit par une horloge, soit en utilisant le contact sec d'un compteur électrique intelligent.

RACCORDEMENT CHAUDIÈRE/STATION SOLAIRE THERMIQUE EXTERNE

EXEMPLE DE RACCORDEMENT D'UNE CHAUDIÈRE/STATION SOLAIRE

Mode de fonctionnement: "PAC+Poël".



957084

Si la température d'eau chaude chute en dessous de $T_{min} - 1^{\circ}\text{C}$, le chauffage externe sera mis en marche. Le chauffage externe est ré-éteint, dès $T_{min} + 1^{\circ}\text{C}$ est atteint. Si T_{min} est réglée à 35°C , l'eau chaude sera disponible à 35°C , même si la performance de la PAC pourrait être insuffisante.

Raccordement des sorties de relais (chaudière externe, 230 V 50Hz, 10 A):

CN2-5 phase
CN2-6 neutre

APPOINT ÉLECTRIQUE

Si la puissance de la PAC est insuffisante, par exemple en cas de besoin important de l'ECS en permanence ou suite à la vidange du système, l'appoint électrique peut assurer rapidement l'échauffement de la partie supérieure du ballon d'eau chaude. L'élément chauffant est activé par le paramètre "**mode FCT**" avec les valeurs "**EL**" (appoint uniquement) ou "**PAC + EL**" (PAC et appoint ensemble). Le paramètre Tmin est réglé à la température minimum d'ECS souhaitée. Si la température du ballon d'eau chaude descend en dessous de Tmin, l'appoint électrique se met en marche automatiquement pour atteindre Tmin.

L'appoint électrique est doublement sécurisé : par thermostat (pour la régulation de la température) et thermo fusible. Le thermo fusible coupe le thermoplongeur à une température de 75/85°C. Le thermo fusible doit être réactivé manuellement suite au déclenchement de celui-ci. La réactivation du thermo fusible ne peut être effectué que par un installateur agréé. Vous trouverez l'emplacement de l'élément chauffant sur page 5 (image ballon thermodynamique).

SOIN ET ENTRETIEN

Votre BTD prépare votre ECS automatiquement avec une très grande fiabilité. Néanmoins, afin de garantir un haut rendement et la longévité il faut un minimum de soin et d'entretien. Nous recommandons de souscrire un contrat d'entretien avec votre installateur ou une société de SAV.

SOINS PAR L'USAGER

Le BTD ne demande pas des soins particuliers par l'utilisateur. Néanmoins, l'utilisateur a la responsabilité pour son installation et devrait :

- Contrôler régulièrement le bon fonctionnement du groupe de sécurité
- Contrôler régulièrement l'écran (les alarmes)
- Contrôler régulièrement l'étanchéité de l'installation
- Contrôler régulièrement l'évacuation du condensat (nettoyez si nécessaire)
- Contrôler régulièrement l'entrée et la sortie d'air (nettoyez si nécessaire)
- Informez votre installateur ou votre SAV, si nécessaire.

ENTRETIEN PAR LE SAV

- Le SAV doit contrôler l'état général de l'installation (fonctionnement, étanchéité, groupe sécurité, pression de service)
- Entretien de l'anode: Pour protéger la cuve contre la corrosion, l'intérieur de celle-ci est en émail. La couche d'émail couvre uniformément la surface intérieure du ballon, néanmoins la formation de zones poreuses n'est pas à exclure. Pour éviter tout risque de corrosion il y a une anode en magnésium au milieu de la cuve. Celle-ci protège les zones à risques. Cette anode doit être contrôlée annuellement pour l'usure et doit être remplacée si le diamètre est <10mm. Pour contrôler l'anode, vous devez retirer le capot avant. L'anode se trouve derrière ce capot avant. Ensuite vous devez vider le ballon d'ECS, en fermant l'entrée d'eau froide et en actionnant la vanne d'évacuation. A partir d'un diamètre de 6mm il n'y a plus de protection cathodique (plus de garantie du fabricant). Certaines qualités locales d'eau demande une inspection plus fréquentes. Votre installateur connaît parfaitement la situation local et peu vous préconiser l'intervalle d'inspection approprié.
- **Entretien de l'évaporateur** Contrôlez l'évaporateur une à deux fois par an et si nécessaire enlevez les résidus de poussières et de saletés. Démontez les grilles d'air ou les gaines pour contrôler l'évaporateur. La poussière peut handicaper le circuit d'air et réduire ainsi considérablement la performance de la PAC. Nettoyez prudemment l'évaporateur à l'aide d'une brosse et de l'eau. Veillez à ne pas endommager les lamelles de l'évaporateur et que l'eau ne rentre pas en contact avec des pièces électriques. Si la PAC est raccordée à une hotte, veillez à ce que des résidus d'huile ou de graisse ne se déposent pas dans l'évaporateur, ce que pourrait augmenter le risque d'obstruction. Il est impérativement conseiller d'installer un filtre à air, simple à échanger et à nettoyer. Par exemple vous pourriez utiliser un filtre à cassettes dans le système à air.
- **ENTRETIEN DE L'ÉVACUATION D'EAU:** Le tuyau d'évacuation de la PAC doit être raccordée à la décharge des eaux usées conformément à la réglementation applicable. Le raccord d'évacuation du condensat de la PAC doit toujours être tenu propre. L'intervalle de nettoyage dépend des conditions de fonctionnement locales comme par exemple poussière et température.

AVERTISSEMENT : Les propriétaires et utilisateurs sont responsables pour le contrôle et l'entretien et doivent assurés le bon fonctionnement de l'écoulement. Autrement ceci signifie une exclusion de garantie, car un drain obstrué peut provoquer le débordement du récipient de collecte. L'eau peut déborder et couler de manière incontrôlée, et ainsi engendrer des dommages de corrosion, d'isolation et électriques.

CONSEILS POUR LE BON FONCTIONNEMENT

Vous avez un BTD de haute qualité. Afin de profiter pleinement du rendement du confort de votre installation nous vous recommandons de observer les conseils suivants.

Température de consigne

Le rendement de votre BTD dépend de la consommation d'ECS, de la température d'ECS et de la température de l'air aspiré.

La consommation moyenne d'eau par personne et par jour est de 125 litres , dont 1/3 en ECS. En autres mot, la consommation journalière d'ECS d'une famille a 4 personnes et de 160 litres (à confort moyen) ou de 240 l a confort élevé. Votre BTD avec un volume de 270 litres et une capacité de production encore plus élevée vous garantie le confort ECS pendant toute l'année.

Le rendement de votre BTD augmente, si la température de consigne baisse. Nous préconisons donc de démarrer votre BTD avec une température de consigne de 45°C. Cette température vous garantira un confort suffisant d'ECS (la température normale d'utilisation est d'environ 38 à 40°C). Si votre besoin d'ECS ou de confort soit plus élevé , vous avez la possibilité d'augmenter la température jusqu'à Tmax.

Le rendement de votre BTD augmente avec la température de l'air aspiré. Le choix de l'emplacement et de la source d'air aspiré doit être fait soigneusement.

Les soins et l'entretien régulier vous garantissent un rendement extraordinaire et une longévité hors normes.

INFORMATIONS UTILES ET IMPORTANTES

Pour le service après vente et le client.

Il est important pour l'utilisateur de fournir et de mettre rapidement des informations à la disposition du service après-vente (Nom, Adresse, Téléphone) dans le cadre d'un incident nécessitant le contact avec le service après-vente. On vous conseille pour cela, de remplir les données suivantes:

Nom: -----

Adresse: -----

Téléphone: -----

Téléfax: -----

Date d'installation: -----

type de construction: Ballon thermodynamique(Monobloc) -----

Modèle: VT31xx (voir choix modèles) -----

Numéro de série: -----